



PARTS CATALOGUE

YP250 (5SJ2) EUROPE

YAMAHA
GENUINE
Parts & Accessories

1A5SJ-300E2

(2A5SJ-300E2)

YP250
PARTS CATALOGUE
©2002 by Yamaha Motor Co., Ltd.
1st edition, December 2002
All rights reserved.
Any reprinting or unauthorized use
without the written permission of
Yamaha Motor Co., Ltd.
is expressly prohibited.
Printed in Japan.

A3



A4

FOREWORD

This Parts Catalogue is related to the parts for the model(s) on the cover page. When you are ordering replacement parts, please refer to this Parts Catalogue and quote both part numbers and part names correctly.

1. Modifications or additions which have been made after the issue of the Parts Catalogue will be announced in the Yamaha Parts News.
It is advisable that you make the necessary corrections to the Parts Catalogue according to the Yamaha Parts News.

2. Abbreviations

The following abbreviations are used in this Parts Catalogue.

“UR” Use specified parts number.

“UN” Use as many as needed.

“AP” Alternate Parts

“LM” Locally Made (Parts need to be ordered locally)

“F#” Frame No. (Applicable machine No.)

“O/S” Over Size

3. The number of components for assembly

- Parts, which are to be supplied in an assembly, are listed with a dot (.) in front of the part name as shown below.
- The numeral appearing to the right of each component part indicates the quantity of parts for each assembly unit.

PART NO.	DESCRIPTION	Q'TY	REMARKS
2F5-83310-60	FRONT FLASHER LIGHT ASSY	2	
115-83311-60	.BULB (6V-18W)	1	

4. Applicable colours of graphics are represented in the “REMARKS” as shown below.

PART NO.	DESCRIPTION	Q'TY	REMARKS
2N4-24110-00-X5	FUEL TANK COMP.	2	MXR
3J1-24240-10	.GRAPHIC, FUEL TANK	1	FOR MXR

5. Note that the illustrations for reference in finding parts numbers are not to be used for assembling. When assembling, please use the applicable service manual.

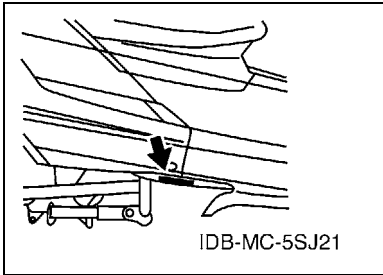
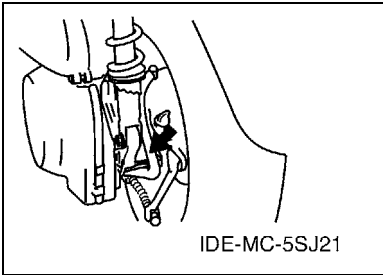
6. The asterisk (*) before a reference number indicates modified items after the first edition.

FOREWORD

7. Applicable Serial No.

Engine Serial No.

Frame Serial No.



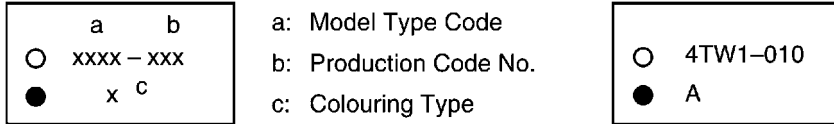
8. Applicable Colour Code

Abbreviation	Colour Name	Colour Code
DRMD	DULL RED METALLIC D	0779
MAS	MARBLE SILVER	000L
PPBM3	PALE PURPLISH BLUE METALLIC 3	0776
SL	SILVER	0035
VDBMA	VERY DARK BLUE METALLIC A	0781

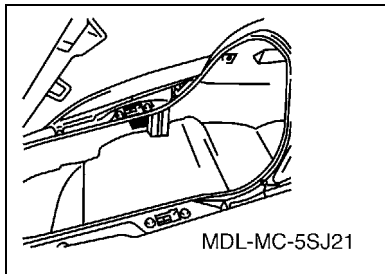
MODEL LABEL

(1) A label called "Model Label" is affixed in the location as indicated in (3) below. When using this parts catalogue, please be sure to cross-reference the "model code – production code No." in the catalogue with the "model code – production code No." indicated on the Model Label affixed onto the product concerned.

(2) "Model Label" Indication



(3) Model Label Affixing Location



(4) Colouring Information

Model Code	Colouring Type Code	Colour Code	Colour Name	Abbreviation
5SJ2	A	000L	MARBLE SILVER	MAS
	B	0776	PALE PURPLISH BLUE METALLIC 3	PPBM3
	C	0779	DULL RED METALLIC D	DRMD
	D	0781	VERY DARK BLUE METALLIC A	VDBMA

(5) Model Code – Production Code Number of Model Listed in This Parts Catalogue

Model Code	Production Code No.	Country (destination)	Model Code	Production Code No.	Country (destination)
5SJ2	020	BELGIUM			
	030	SWITZERLAND			
	060	UNITED KINGDOM			
	070	GREECE			
	080	ITALY			
	090	NETHERLANDS			
	100	NORWAY			
	110	PORTUGAL			
120	SWEDEN				

CONTENTS

ENGINE

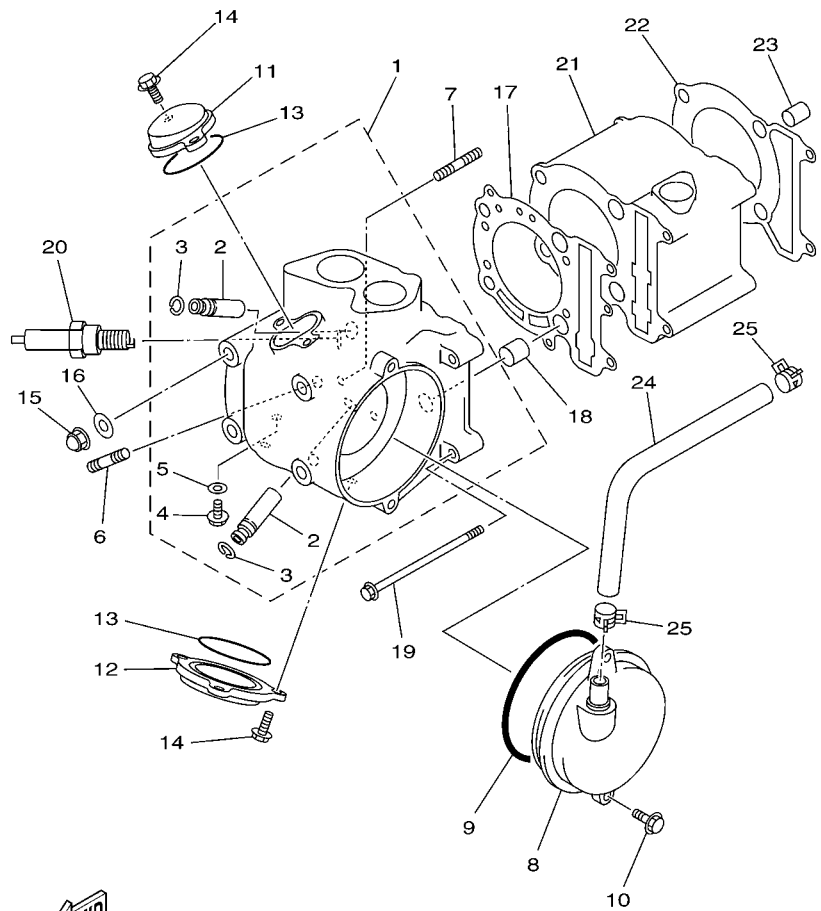
CYLINDER	B2
CRANKSHAFT. PISTON	B3
VALVE	B4
CAMSHAFT. CHAIN	B5
WATER PUMP	B6
RADIATOR. HOSE	B7
OIL PUMP	B9
INTAKE	B10
CARBURETOR	B11
EXHAUST	B13
CRANKCASE	B15
CRANKCASE COVER 1	C3
STARTER	C5
CLUTCH	C6
TRANSMISSION	C8

CHASSIS

FRAME	C9
FENDER	C10
SIDE COVER	C11
REAR ARM. SUSPENSION	C13
STEERING	C14
FUEL TANK	D2
SEAT	D4
FRONT WHEEL	D6
FRONT BRAKE CALIPER	D7
REAR WHEEL	D8
REAR BRAKE CALIPER	D9
STEERING HANDLE. CABLE	D10
FRONT MASTER CYLINDER	D11
STAND. FOOTREST	D12
LEG SHIELD	D14
GENERATOR	E3
STARTING MOTOR	E4
FLASHER LIGHT	E5
METER	E6
HEADLIGHT	E7
TAILLIGHT	E8
HANDLE SWITCH. LEVER	E9
ELECTRICAL 1	E10
ELECTRICAL 2	E12

INDEX

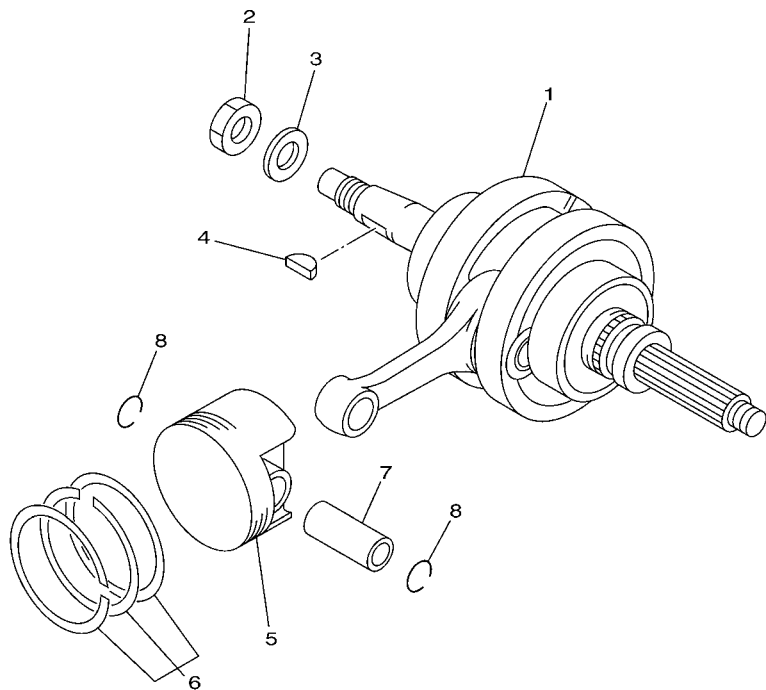
NUMERICAL INDEX	M1
-----------------------	----



5GM1010-0010

FIG. 1 CYLINDER

REF. NO.	PART NO.	DESCRIPTION	5S.12				REMARKS
1	5GM-11101-00	CYLINDER HEAD ASSY	1				
2	4G0-11133-11	.GUIDE, INTAKE VALVE	2				
3	93440-10085	.CIRCLIP	2				
4	90153-06029	.SCREW, HEXAGON	1				
5	90430-06014	.GASKET	1				
6	95617-08620	BOLT, STUD	2				
7	95617-06615	BOLT, STUD	2				
8	4HC-11160-00	BREATHER ASSY	1				
9	93210-92448	O-RING	1				
10	95027-06020	BOLT, FLANGE	2				
11	3GC-11186-00	COVER, CYLINDER HEAD SIDE 2	1				
12	3GC-11187-00	COVER, CYLINDER HEAD SIDE 3	1				
13	93210-57634	O-RING	2				
14	95027-06020	BOLT, FLANGE	5				
15	90176-08026	NUT, CROWN	4				
16	90201-08609	WASHER, PLATE	4				
17	4HC-11181-01	GASKET, CYLINDER HEAD 1	1				
18	99530-14016	PIN, DOWEL	2				
19	95027-06120	BOLT, FLANGE	2				
20	94701-00333	PLUG, SPARK (NGK DR8EA)	1				
21	4HC-11311-00	CYLINDER 1	1				
22	4HC-11351-00	GASKET, CYLINDER	1				
23	99530-10114	PIN, DOWEL	2				
24	4HC-11166-00	PIPE, BREATHER 1	1				
25	90467-13064	CLIP	2				

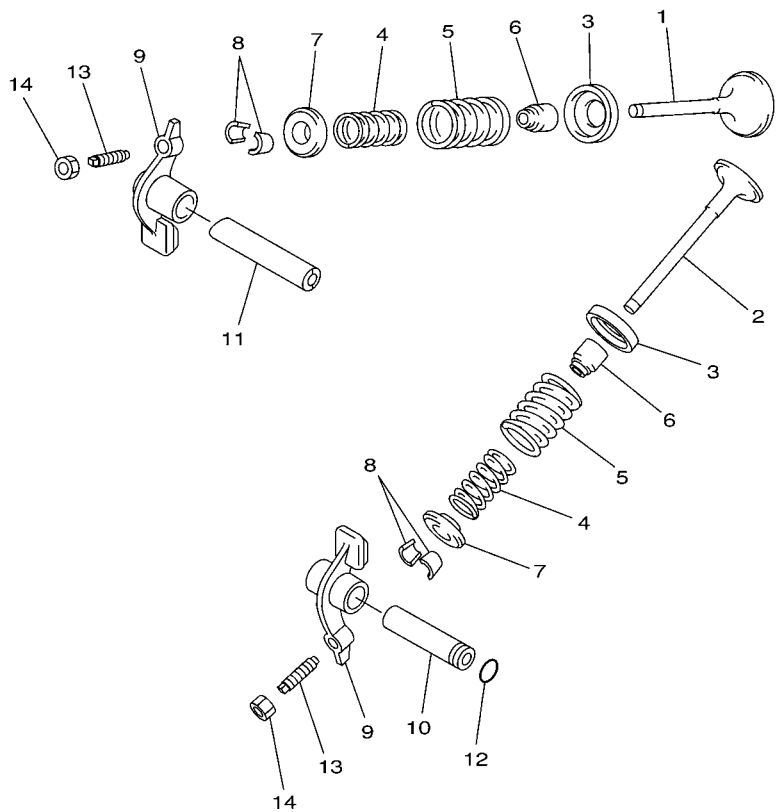


5GM1010-0020

FIG. 2 CRANKSHAFT. PISTON

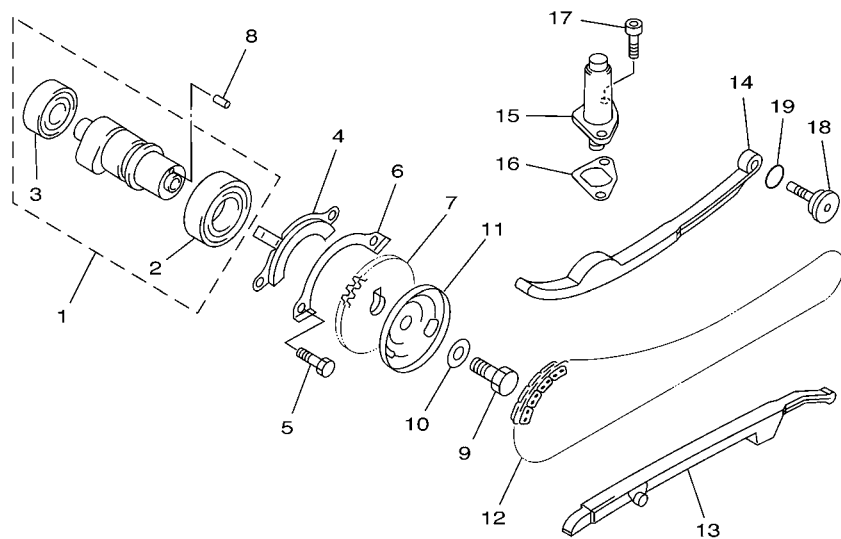
REF. NO.	PART NO.	DESCRIPTION	5S.12				REMARKS
1	5GM-11400-10	CRANKSHAFT ASSY	1				
2	90170-16425	NUT	1				
3	90201-160F6	WASHER, PLATE	1				
4	90280-05013	KEY, WOODRUFF	1				
5	4HC-11631-01	PISTON (STD)	1				
	4HC-11636-01	PISTON (0.50MM O/S)	1				AP
	4HC-11638-01	PISTON (1.00MM O/S)	1				AP
6	4HC-11603-00	PISTON RING SET (STD)	1				
	4HC-11605-00	PISTON RING SET (0.50MM O/S)	1				AP
	4HC-11607-00	PISTON RING SET (1.00MM O/S)	1				AP
7	4JH-11633-00	PIN, PISTON	1				
8	90468-12069	CLIP	2				

FIG. 3 VALVE



REF. NO.	PART NO.	DESCRIPTION	55.12				REMARKS
1	5GM-12111-00	VALVE, INTAKE	1				
2	5H0-12121-01	VALVE, EXHAUST	1				
3	4G0-12116-01	SEAT, VALVE SPRING	2				
4	4HC-12113-00	SPRING, VALVE INNER	2				
5	4HC-12114-00	SPRING, VALVE OUTER	2				
6	5H0-12119-00	SEAL, VALVE STEM	2				
7	4G0-12117-00	RETAINER, VALVE SPRING	2				
8	4G0-12118-00	COTTER, VALVE	4				
9	36X-12151-00	ARM, VALVE ROCKER	2				
10	3Y1-12156-00	SHAFT, ROCKER 2	1				
11	5H0-12146-00	SHAFT, ROCKER	1				
12	93210-09165	O-RING	1				
13	2NX-12159-00	SCREW, VALVE ADJUSTING	2				
14	90170-06128	NUT	2				

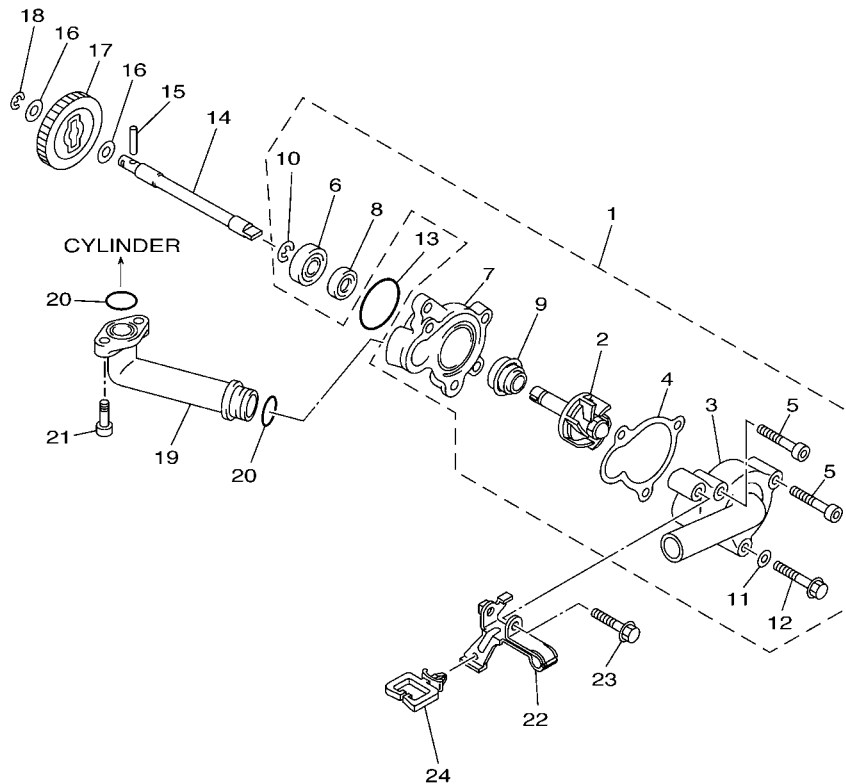
FIG. 4 CAMSHAFT. CHAIN



REF. NO.	PART NO.	DESCRIPTION	55/2				REMARKS
1	4HC-12170-00	CAMSHAFT ASSY 1	1				
2	93306-00518	.BEARING	1				
3	93306-20204	.BEARING (B6202Z)	1				KOYO
4	4GA-1111F-00	PLATE	1				
5	97007-06012	BOLT	2				
6	90215-06184	WASHER, LOCK	1				
7	4HC-12176-00	SPROCKET, CAM CHAIN	1				
8	93604-10011	PIN, DOWEL	1				
9	90101-10303	BOLT	1				
10	90201-10591	WASHER, PLATE	1				
11	4KB-11145-00	PLATE, BREATHER 2	1				
12	94581-63104	CHAIN	1				
13	4HC-12231-00	GUIDE, STOPPER 1	1				
14	4HC-12241-00	GUIDE, STOPPER 2	1				
15	2UJ-12210-01	TENSIONER ASSY, CAM CHAIN	1				
16	4RF-12213-00	GASKET, TENSIONER CASE	1				
17	91317-06014	BOLT	2				
18	4HC-12157-00	BOLT	1				
19	93210-15171	O-RING	1				



4HC1010-5040

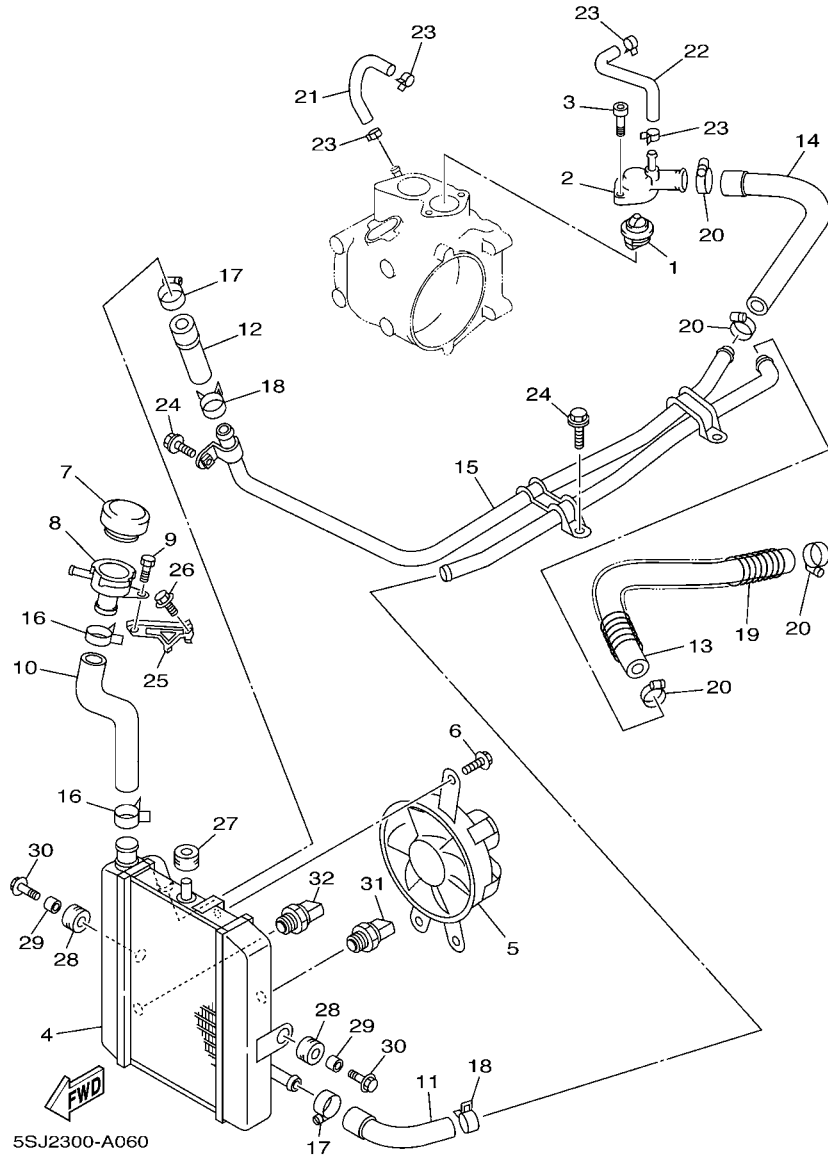


5SJ2300-A050

FIG. 5 WATER PUMP

REF. NO.	PART NO.	DESCRIPTION	5S/J2				REMARKS
1	5GM-12420-01	WATER PUMP ASSY	1				
2	5GM-12450-01	.IMPELLER SHAFT ASSY	1				
3	4HC-12422-01	.COVER, HOUSING	1				
4	4HC-12428-10	.GASKET, HOUSING COVER 2	1				
5	91317-06035	.BOLT	2				
6	93306-00006	.BEARING (B6000)	1				
7	4HC-12421-00	.HOUSING, WATER PUMP	1				
8	93101-10090	.OIL SEAL	1				
9	11H-12438-10	.SEAL, MECHANICAL	1				
10	99009-10400	.CIRCLIP	1				
11	90430-06014	.GASKET	1				
12	95027-06035	.BOLT, FLANGE	1				
13	93210-33133	O-RING	1				
14	5GM-12426-00	SHAFT	1				
15	93603-22028	PIN, DOWEL	1				
16	90201-08512	WASHER, PLATE	2				
17	4HC-12459-00	GEAR, IMPELLER SHAFT	1				
18	99001-07600	CIRCLIP	1				
19	4HC-12446-00	JOINT	1				
20	93210-16275	O-RING	2				
21	91317-06016	BOLT	2				
22	4HC-2637G-00	HOLDER, WIRE	1				
23	95027-06030	BOLT, FLANGE	1				
24	90464-23199	CLAMP	1				

FIG. 6 RADIATOR. HOSE



5SJ2300-A060

REF. NO.	PART NO.	DESCRIPTION	5S12				REMARKS
1	4HC-12411-00	THERMOSTAT	1				
2	4HC-12413-00	COVER, THERMOSTAT	1				
3	91317-06020	BOLT	2				
4	5GM-12461-10	RADIATOR ASSY	1				
5	5GM-12405-00	BLOWER ASSY	1				
6	95024-06010	BOLT, FLANGE	3				
7	4JH-12462-00	CAP, RADIATOR	1				
8	4HC-12591-00	SUPT, FILLER NECK	1				
9	97007-05012	BOLT	1				
10	5GM-12481-00	PIPE 1	1				
11	5GM-12482-00	PIPE 2	1				
12	5GM-12483-00	PIPE 3	1				
13	5GM-12484-00	PIPE 4	1				
14	5GM-12485-00	PIPE 5	1				
15	5GM-12476-00	PIPE 6	1				
16	90467-26131	CLIP	2				
17	90450-28014	HOSE CLAMP ASSY	2				
18	90467-22100	CLIP	2				
19	90501-14001	SPRING, COMPRESSION	1				
20	90450-28014	HOSE CLAMP ASSY	4				
21	4HC-12576-00	HOSE 1	1				
22	4HC-12577-00	HOSE 2	1				
23	90467-10038	CLIP	4				
24	95807-06010	BOLT, FLANGE	3				
25	5GM-12443-00	STAY	1				
26	95807-06008	BOLT, FLANGE	1				
27	90480-14323	GROMMET	1				

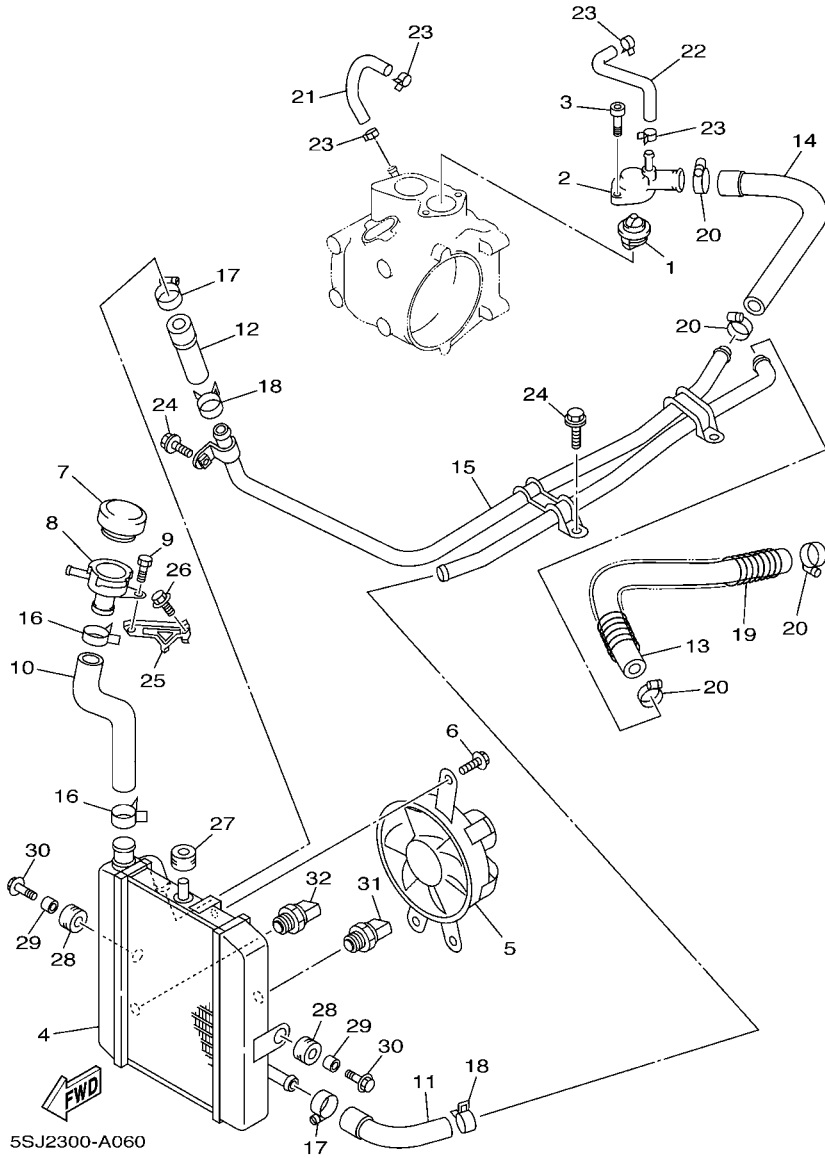


FIG. 6 RADIATOR. HOSE

REF. NO.	PART NO.	DESCRIPTION	5S.12				REMARKS
28	90480-16301	GROMMET	2				
29	90387-0714B	COLLAR	2				
30	90119-06118	BOLT, WITH WASHER	2				
31	5GM-82560-00	THERMO SWITCH ASSY	1				
32	5GH-82560-00	THERMO SWITCH ASSY	1				

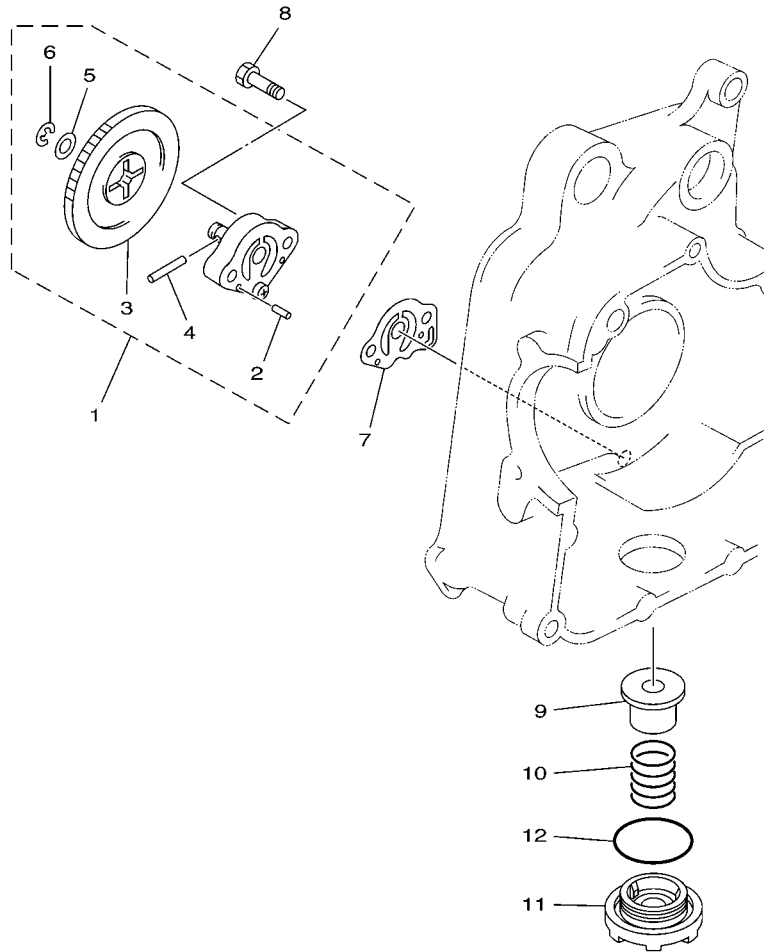
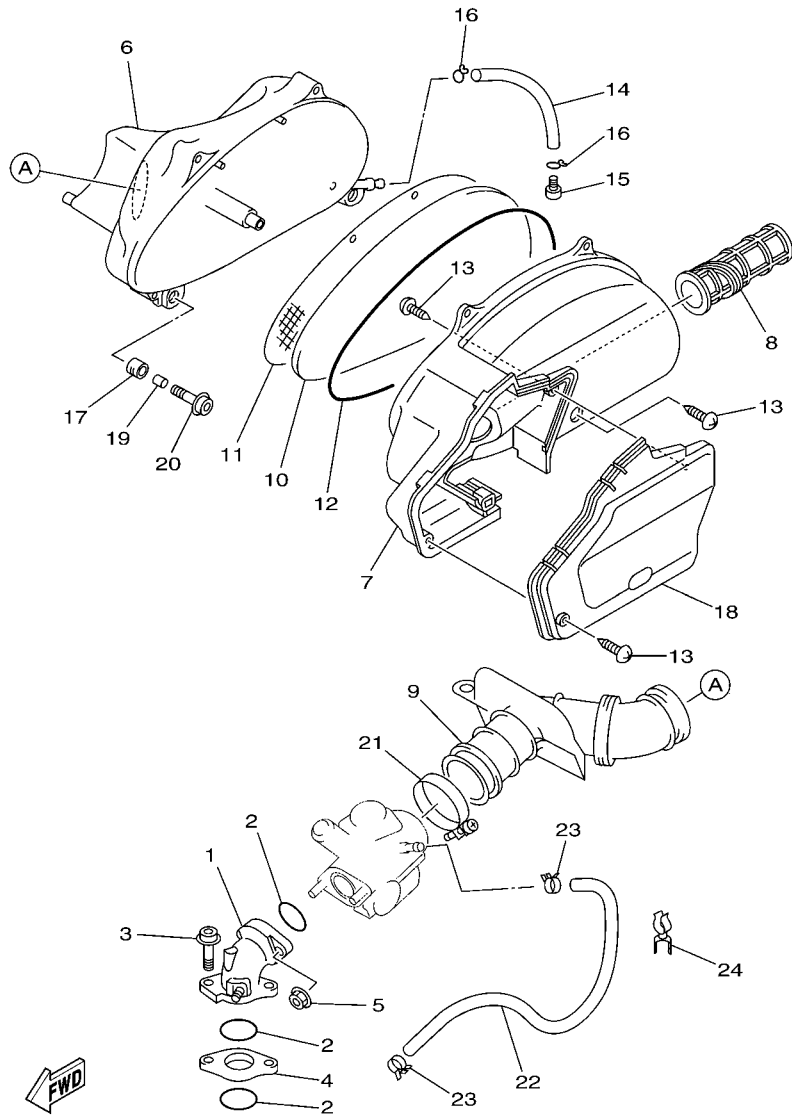


FIG. 7 OIL PUMP

REF. NO.	PART NO.	DESCRIPTION	55.12				REMARKS
1	4HC-13300-00	OIL PUMP ASSY	1				
2	93603-12221	.PIN, DOWEL	2				
3	4HC-13325-00	.GEAR, PUMP DRIVEN	1				
4	93603-22028	.PIN, DOWEL	1				
5	90201-08512	.WASHER, PLATE	1				
6	99001-06600	.CIRCLIP	1				
7	4HC-13475-00	GASKET	1				
8	92017-06025	BOLT, BUTTON HEAD	2				
9	51Y-13411-00	STRAINER, OIL	1				
10	90501-18576	SPRING, COMPRESSION	1				
11	4HC-15351-00	PLUG, DRAIN	1				
12	93210-35520	O-RING	1				

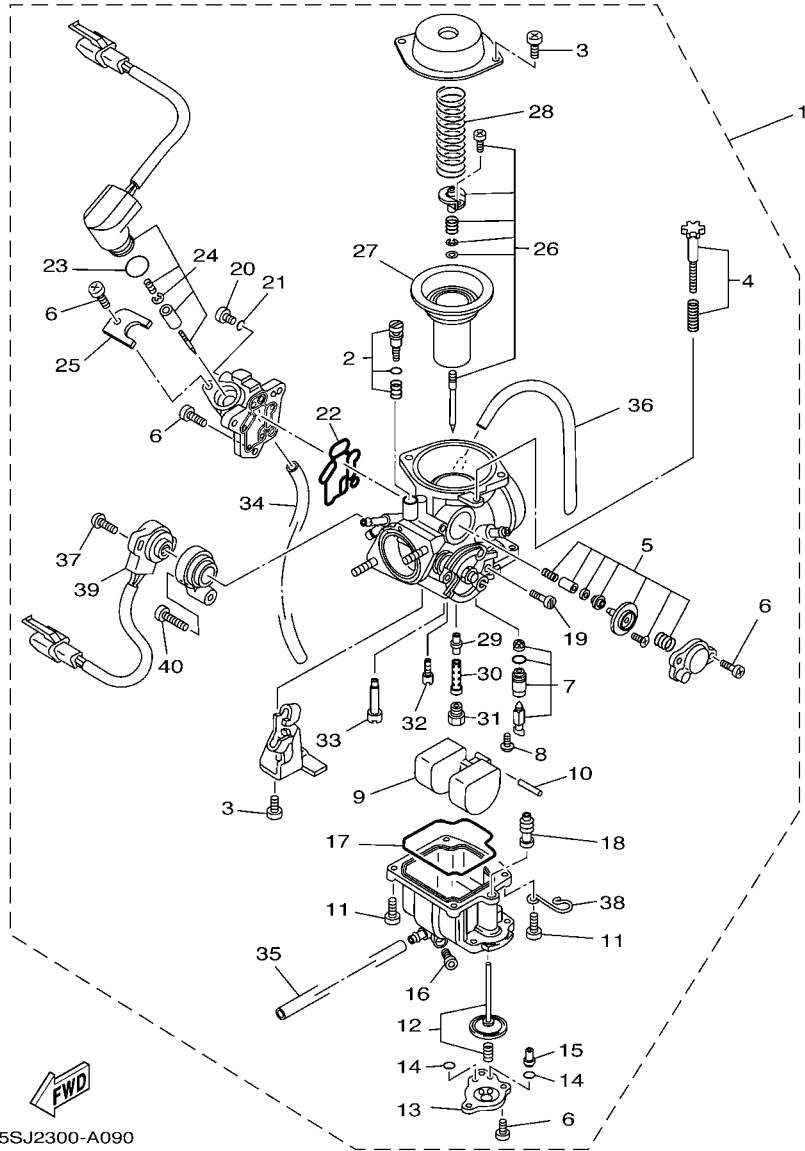

4UC3300-8070



5GM1010-0080

FIG. 8 INTAKE

REF. NO.	PART NO.	DESCRIPTION	5S12				REMARKS
1	4HC-13586-11	JOINT, CARBURETOR 1	1				
2	93210-35537	O-RING	3				
3	90109-067E6	BOLT	2				
4	4HC-13595-00	JOINT	1				
5	95707-06500	NUT, FLANGE	2				
6	4HC-14411-00	CASE, AIR CLEANER 1	1				
7	5GM-14412-01	CAP, CLEANER CASE 1	1				
8	5GM-14437-00	DUCT	1				
9	4HC-14453-01	JOINT, AIR CLEANER 1	1				
10	4HC-14451-00	ELEMENT, AIR CLEANER	1				
11	4HC-14472-00	PLATE, ELEMENT	1				
12	4HC-14452-00	SEAL	1				
13	97707-50125	SCREW, TAPPING	7				
14	90446-11303	HOSE	1				
15	90338-08174	PLUG	1				
16	90467-10008	CLIP	2				
17	90480-13598	GROMMET	2				
18	5GM-1441A-00	COVER, CLEANER CASE 1	1				
19	90387-064W3	COLLAR	2				
20	90109-067E6	BOLT	2				
21	90450-60001	HOSE CLAMP ASSY	1				
22	5GM-14294-00	HOSE	1				
23	90467-11032	CLIP	2				
24	90464-13001	CLAMP	1				

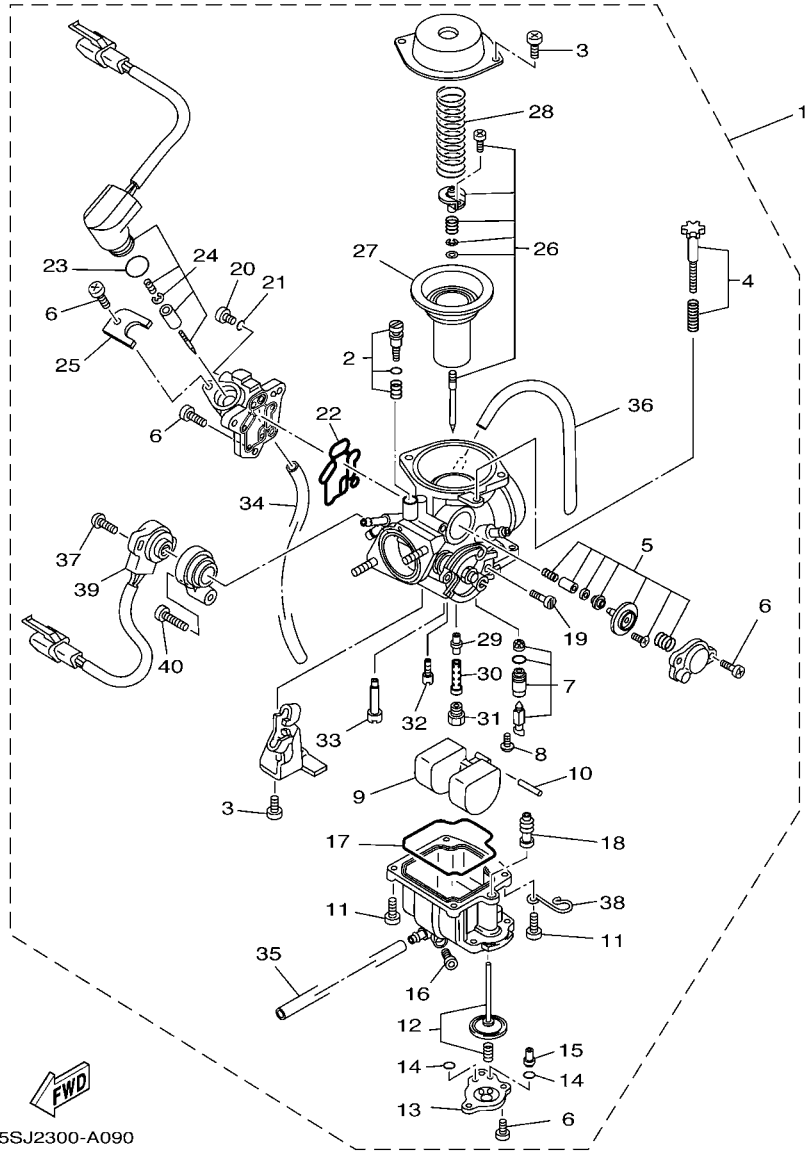


5SJ2300-A090

FIG. 9 CARBURETOR

REF. NO.	PART NO.	DESCRIPTION	5S.J2				REMARKS
1	5GM-14301-11	CARBURETOR ASSY 1	1				
2	5GM-14105-00	.PILOT SCREW SET	1				
3	97801-05010	.THROTTLE SCREW	4				
4	4HC-14103-00	.THROTTLE SCREW SET	1				
5	4HC-1490A-00	.DIAPHRAGM SET 1	1				
6	214-24535-00	.SCREW, LEVER FITTING	9				
7	4HC-14390-00	.NEEDLE VALVE ASSY	1				
8	98901-04006	.SCREW, BIND	1				
9	25N-14385-00	.FLOAT	1				
10	4KL-14386-00	.PIN, FLOAT	1				
11	98501-04012	.SCREW, PAN HEAD	4				
12	4HC-1490H-08	.DIAPHRAGM SET 5	1				
13	4HC-14958-00	.COVER, DIAPHRAGM	1				
14	389-14147-00	.O-RING	2				
15	4KL-14272-01	.VALVE, CHECK SEAT	1				
16	4KL-14115-00	.PLUG, DRAIN	1				
17	4KL-14384-00	.GASKET, FLOAT CHAMBER	1				
18	4KL-14404-00	.BOOT	1				
19	4HC-14429-00	.SCREW	1				
20	4HC-14592-00	.SCREW	1				
21	5H0-14397-00	.O-RING	1				
22	4KL-14536-00	.GASKET	1				
23	4KL-14397-00	.O-RING	1				
24	5GM-1410A-10	.STARTER SET	1				
25	4JP-14243-01	.PLATE	1				
26	5GM-1490J-00	.NEEDLE SET	1				
27	4HC-14340-01	.VALVE ASSY	1				

B11



5SJ2300-A090

FIG. 9 CARBURETOR

REF. NO.	PART NO.	DESCRIPTION	5S.J2				REMARKS
28	4HC-14286-00	.SPRING	1				
29	4UC-14341-00	.NOZZLE, MAIN	1				
30	4UC-14341-10	.NOZZLE, MAIN	1				
31	50M-14343-64	.JET, MAIN (#128)	1				
32	38V-14342-71	.JET, PILOT(#43)	1				
33	50M-14355-00	.PLUG	1				
34	4HC-14197-00	.PIPE	1				
35	4HC-14196-00	.PIPE	1				
36	5GM-14197-00	.PIPE	1				
37	5GM-14565-00	.SCREW	1				
38	5GM-14243-00	.CLAMP	1				
39	5GM-85885-00	.THROTTLE SENSOR ASSY	1				
40	97801-05014	.SCREW, PAN HEAD	1				

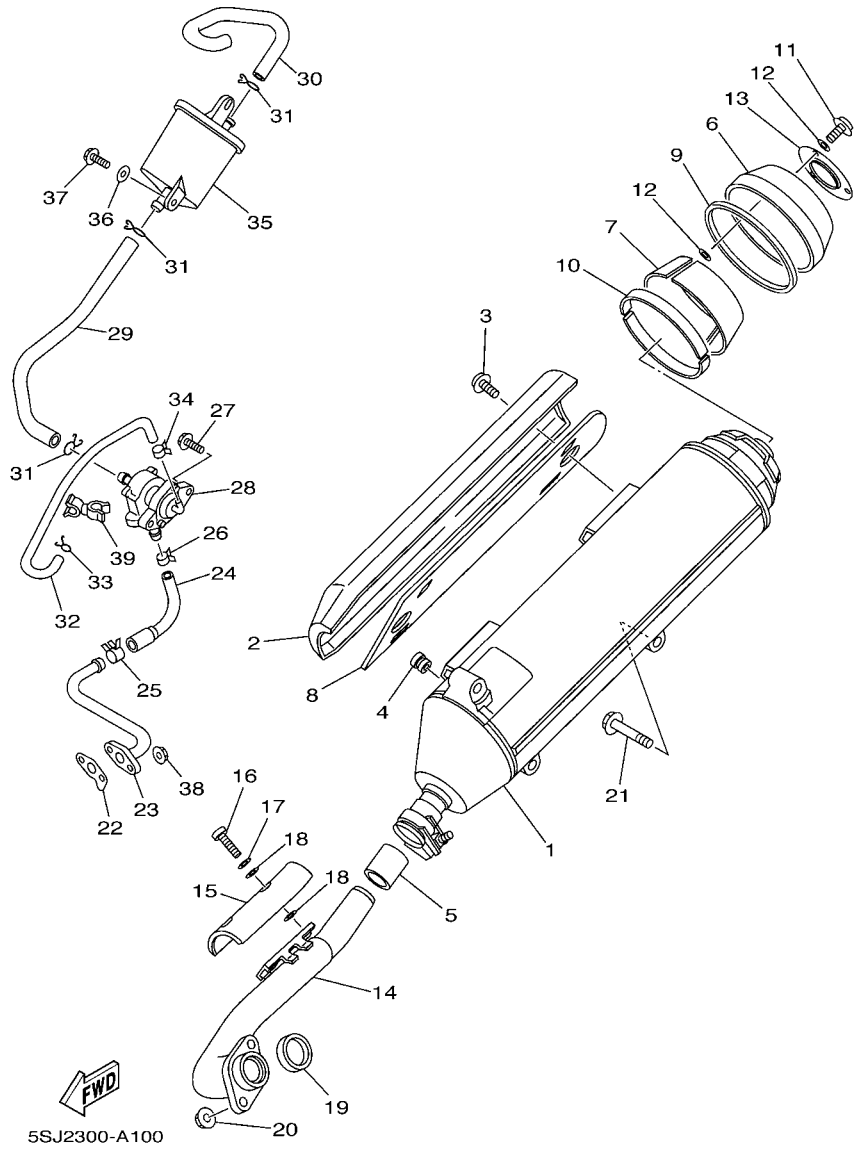


FIG. 10 EXHAUST

REF. NO.	PART NO.	DESCRIPTION	5S12				REMARKS
1	5RB-14711-00	MUFFLER 1	1				
2	5SJ-14718-00	PROTECTOR, MUFFLER 1	1				
3	90111-06015	BOLT	2				
4	90480-10332	GROMMET	2				
5	4BH-14714-00	GASKET, MUFFLER	1				
6	5SJ-14799-00	CAP	1				
7	5GM-14728-00	PROTECTOR, MUFFLER 2	2				
8	5GM-14738-00	PROTECTOR, MUFFLER 3	1				
9	5RB-14758-00	PROTECTOR, SILENCER	1				
10	5RB-14748-00	PROTECTOR, MUFFLER 4	1				
11	90111-06020	BOLT	3				
12	5RB-14766-00	WASHER, PROTECTOR	6				
13	5GM-1482K-00	PLATE	1				
14	5GM-14611-10	PIPE, EXHAUST 1	1				
15	4HC-14628-00	PROTECTOR, EXHAUST PIPE	1				
16	92017-06012	BOLT, BUTTON HEAD	2				
17	92907-06200	WASHER	2				
18	4BD-14766-00	WASHER, PROTECTOR	4				
19	3MT-14613-00	GASKET, EXHAUST PIPE	1				
20	95607-08200	NUT, SELF-LOCKING	2				
21	95817-10050	BOLT, FLANGE	3				
22	5GM-14815-00	GASKET	1				
23	5GM-14871-01	PIPE 1	1				
24	5GM-14881-00	HOSE, BEND 1	1				
25	90468-08104	CLIP	1				
26	90467-14117	CLIP	1				
27	95807-06020	BOLT, FLANGE	2				

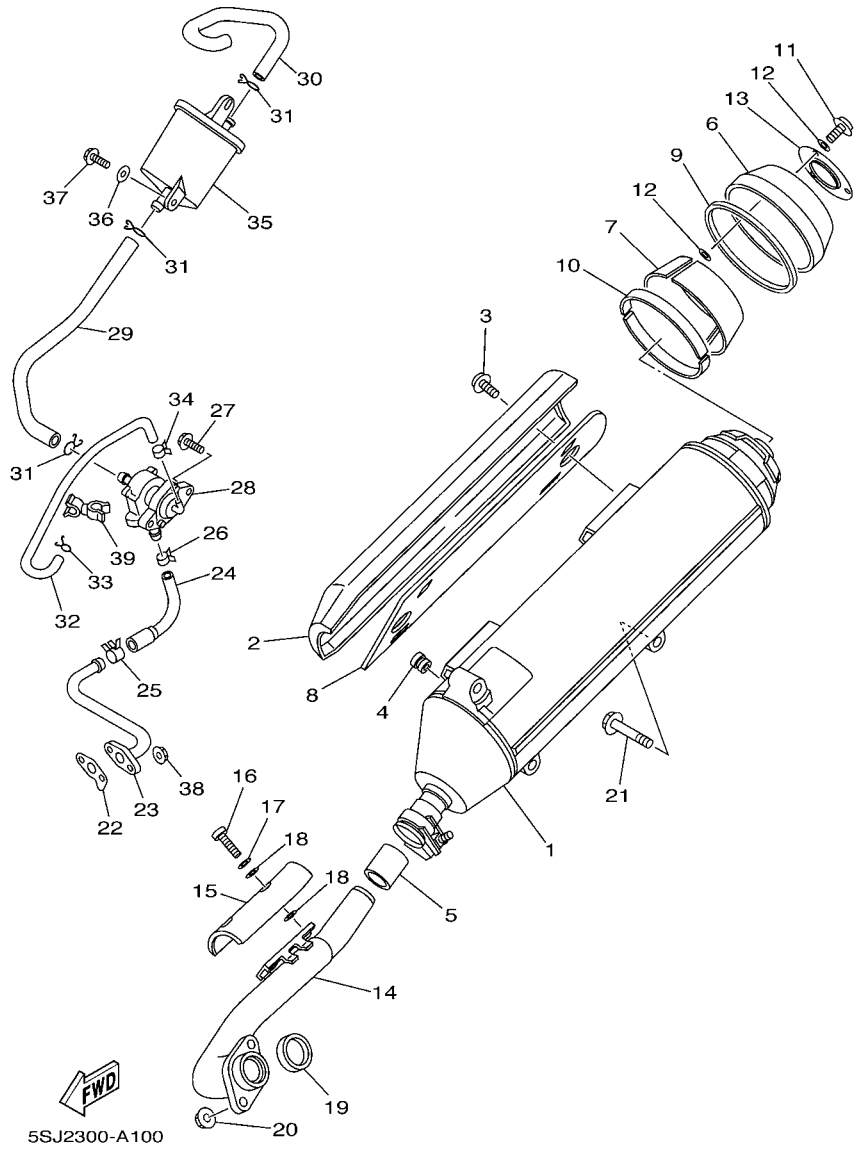
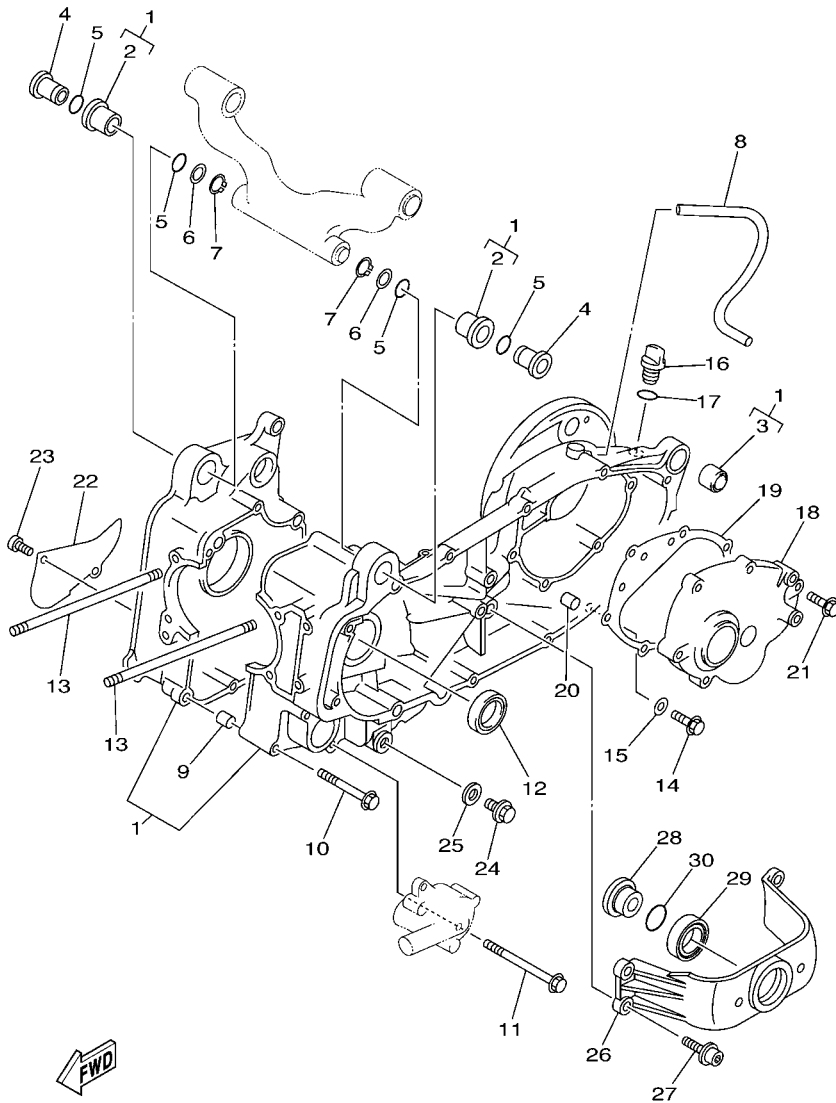


FIG. 10 EXHAUST

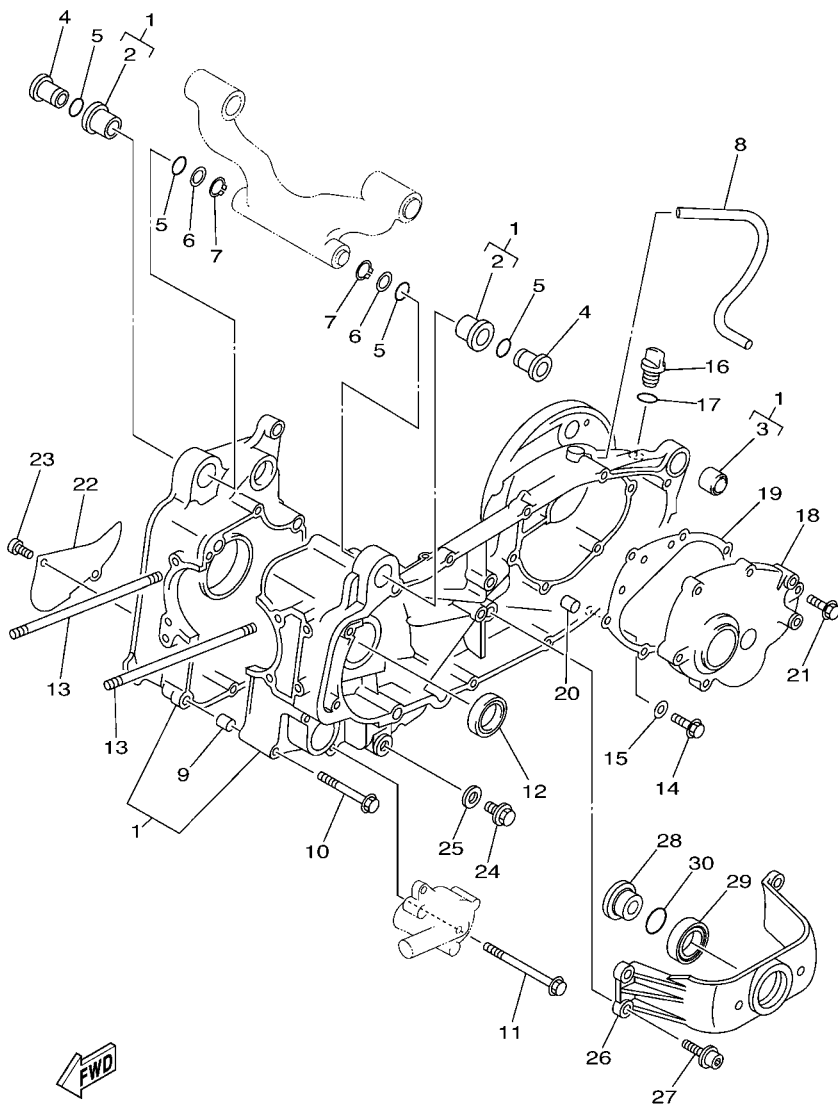
REF. NO.	PART NO.	DESCRIPTION	5S12				REMARKS
28	5GM-14803-00	AIR INDUCTION SYSTEM ASSY	1				
29	5GM-14882-00	HOSE, BEND 2	1				
30	5GM-14883-00	HOSE, BEND 3	1				
31	90467-16195	CLIP	3				
32	5GM-13542-00	HOSE, VACUUM SENSING 1	1				
33	90467-09006	CLIP	1				
34	90467-07138	CLIP	1				
35	5GM-14806-00	AIR FILTER	1				
36	90201-06380	WASHER, PLATE	2				
37	95807-06014	BOLT, FLANGE	2				
38	95607-06200	NUT, SELF U-FLANGE	2				
39	90464-11004	CLAMP	1				



5GM1010-0111

FIG. 11 CRANKCASE

REF. NO.	PART NO.	DESCRIPTION	55.12				REMARKS
1	5GM-15100-00	CRANKCASE ASSY	1				
2	4HC-15378-00	.HOLDER	2				
3	164-22216-00	.BUSH, REAR SHOCK ABSORBER	1				
4	90387-1006J	COLLAR	2				
5	93210-16275	O-RING	4				
6	90201-16242	WASHER, PLATE	2				
7	99009-16400	CIRCLIP	2				
8	90445-135J8	HOSE (L330)	1				
9	99530-10114	PIN, DOWEL	2				
10	95027-06070	BOLT, FLANGE	4				
11	95027-06100	BOLT, FLANGE	5				
12	93102-30284	OIL SEAL	1				
13	90116-08591	BOLT, STUD	4				
14	95817-08016	BOLT, FLANGE	1				
15	90430-08119	GASKET	1				
16	2T4-15363-00	PLUG, OIL	1				
17	93210-14104	O-RING	1				
18	5GM-15421-00	COVER, CRANKCASE 2	1				
19	4HC-15461-00	GASKET, CRANKCASE COVER 2	1				
20	99530-10114	PIN, DOWEL	2				
21	95027-08040	BOLT, FLANGE	6				
22	4HC-15492-00	COVER	1				
23	91317-06014	BOLT	2				
24	90340-12059	PLUG, STRAIGHT SCREW	1				
25	90430-12213	GASKET	1				
26	5GM-15199-00	BRACKET	1				
27	90109-082F5	BOLT	4				



5GM1010-0111

FIG. 11 CRANKCASE

REF. NO.	PART NO.	DESCRIPTION	5S.12				REMARKS
28	5GM-17649-00	SPACER	1				
29	93306-90603	BEARING	1				
30	93210-27672	O-RING	1				

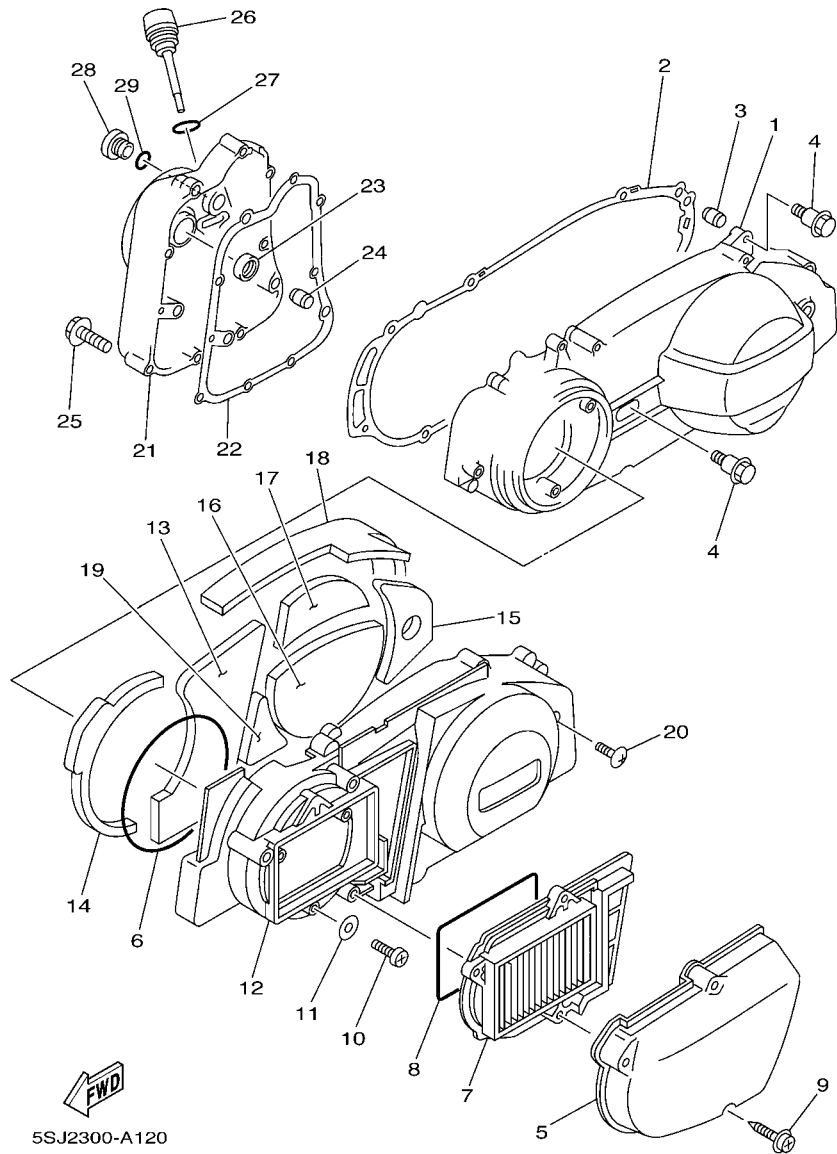


FIG. 12 CRANKCASE COVER 1

REF. NO.	PART NO.	DESCRIPTION	5S-J2				REMARKS
1	5GM-15411-00	COVER, CRANKCASE 1	1				
2	5GM-15451-00	GASKET, CRANKCASE COVER 1	1				
3	99530-10114	PIN, DOWEL	2				
4	90109-06030	BOLT	8				
5	5GM-15471-00	DUCT, AIR	1				
6	4HC-15472-00	SEAL, AIR DUCT	1				
7	5GM-15407-00	ELEMENT 1	1				
8	17W-14462-00	SEAL	1				
9	90167-05003	SCREW, TAPPING	3				
10	98507-06020	SCREW, PAN HEAD	3				
11	92907-06600	WASHER, PLATE	3				
12	5GM-15431-00	COVER, CRANKCASE 3	1				
13	5GM-15316-00	DAMPER, ENGINE MOUNT 1	1				
14	5GM-15326-00	DAMPER, ENGINE MOUNT 2	1				
15	5GM-15335-00	DAMPER 3	1				
16	5GM-15337-00	DAMPER 4	1				
17	5GM-15338-00	DAMPER, ENGINE MOUNT 5	1				
18	5GM-15491-00	PROTECTOR	1				
19	5GM-15499-00	PROTECTOR, COVER	1				
20	3KJ-15481-00	BOLT 1	1				
21	5GM-15417-00	COVER, CAP	1				
22	4HC-15453-00	GASKET	1				
23	93101-14092	OIL SEAL (S7-14-25-5.5-1-HS)	1				
24	99530-10114	PIN, DOWEL	2				
25	95027-06040	BOLT, FLANGE	10				
26	4HC-15363-00	PLUG, OIL	1				
27	93210-19123	O-RING	1				

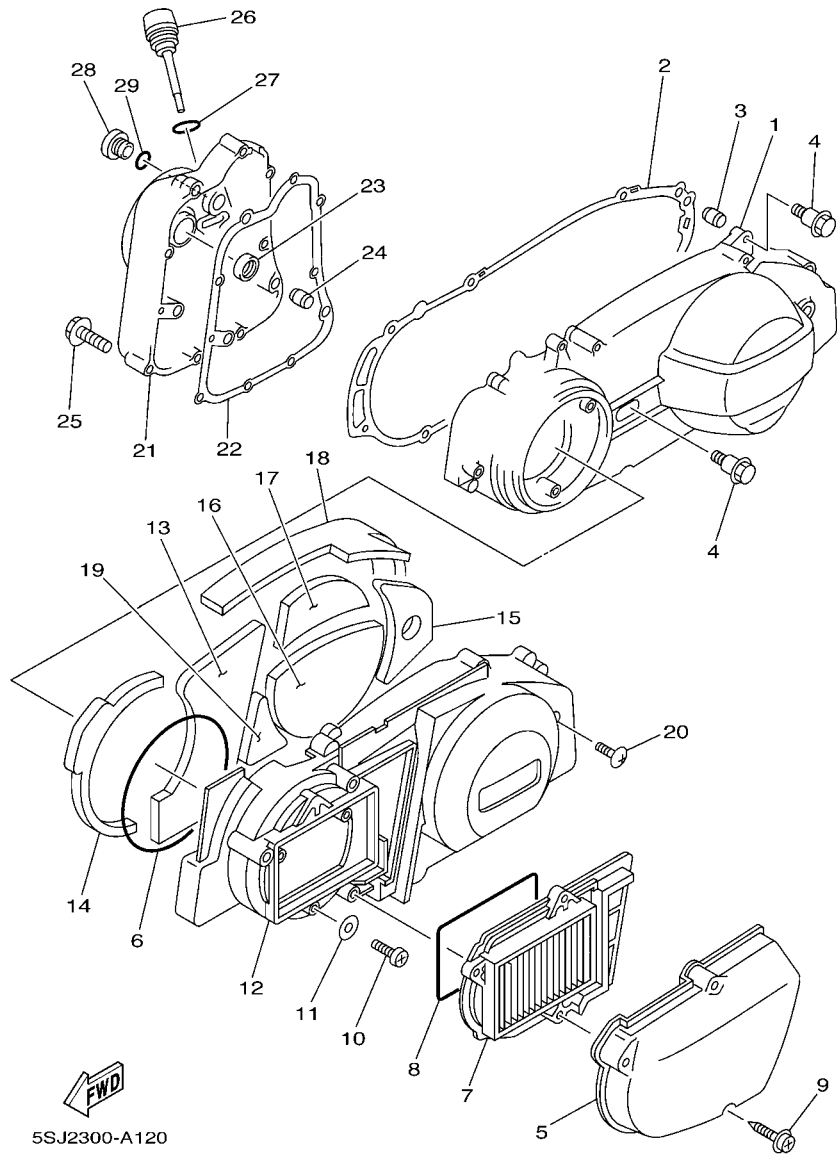
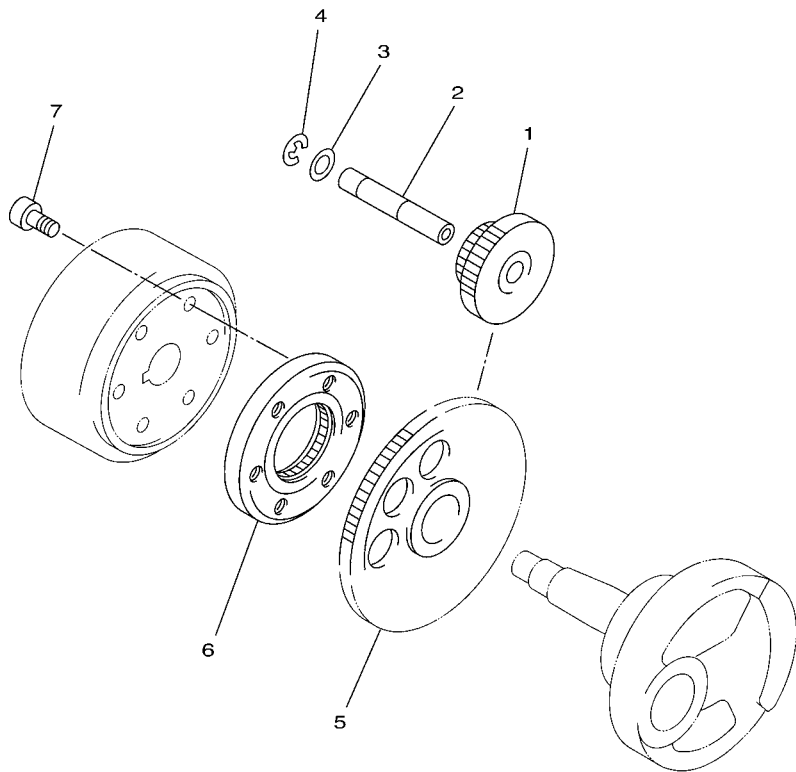


FIG. 12 CRANKCASE COVER 1

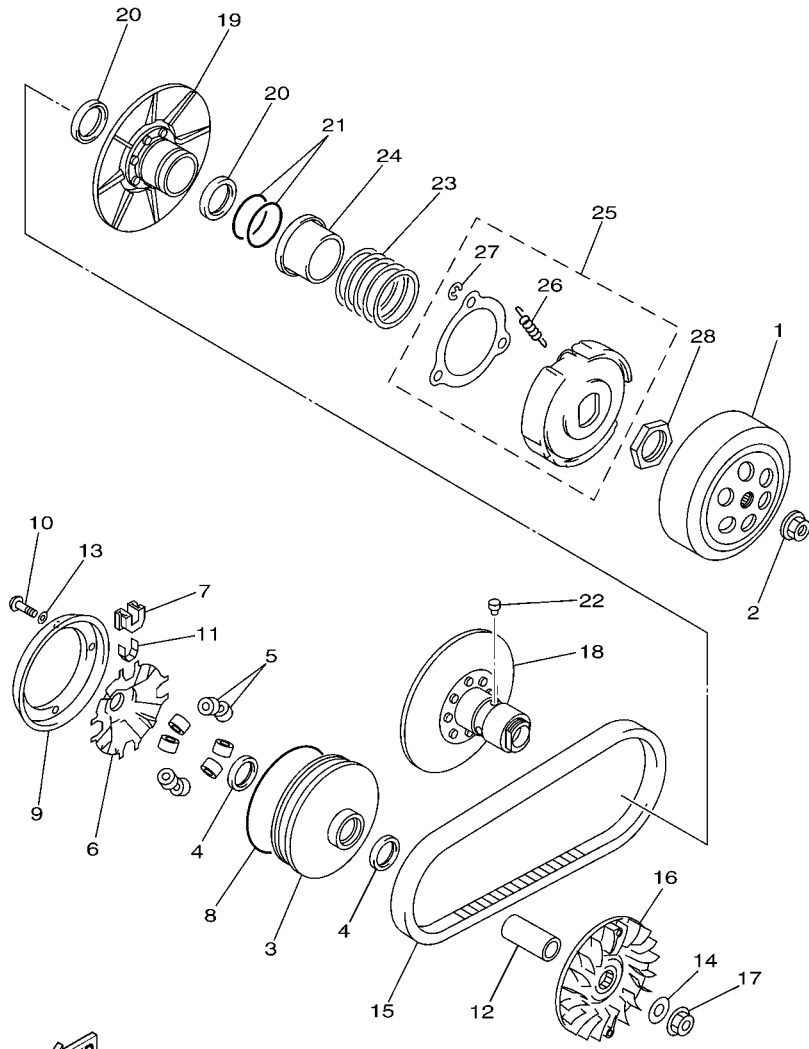
REF. NO.	PART NO.	DESCRIPTION	5S.J2				REMARKS
28	36Y-15189-00	PLUG	1				
29	93210-16325	O-RING	1				

FIG. 13 STARTER



REF. NO.	PART NO.	DESCRIPTION	SSJ2				REMARKS
1	4HC-15512-00	GEAR, IDLER 1	1				
2	2HT-15521-00	SHAFT 1	1				
3	90201-12166	WASHER, PLATE	1				
4	99009-12400	CIRCLIP	1				
5	4HC-15517-00	GEAR, IDLER 2	1				
6	4HC-15590-00	STARTER ONE-WAY ASSY	1				
7	91317-08016	BOLT	3				


4HC1010-5130

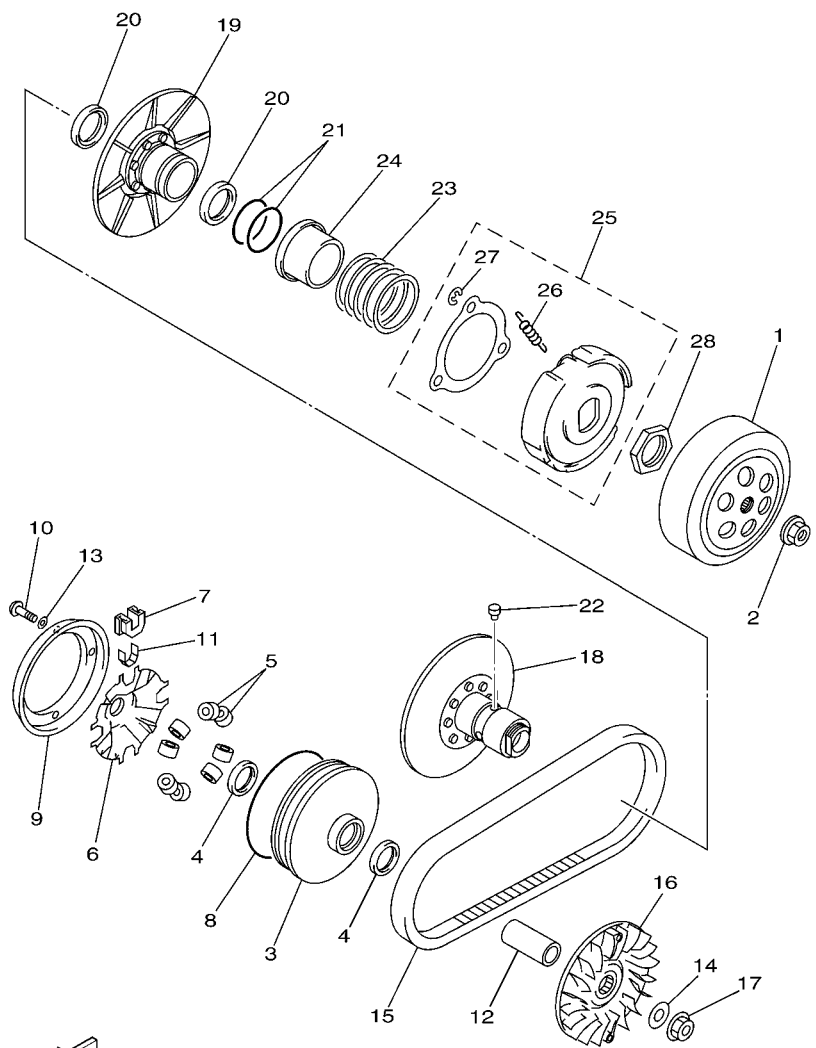


FWD
5GM1010-0140

FIG. 14 CLUTCH

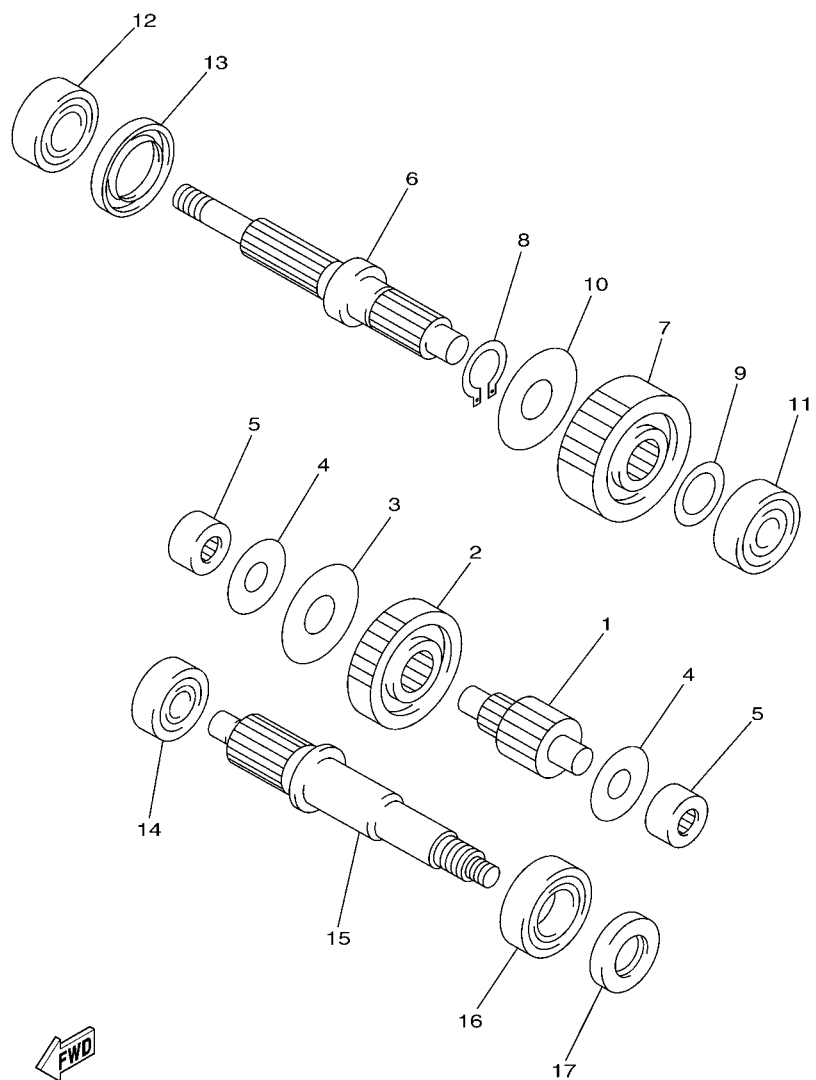
REF. NO.	PART NO.	DESCRIPTION	SS	QTY	REMARKS
1	5GM-16611-00	CLUTCH HOUSING COMP.	1		
2	90179-14469	NUT	1		
3	5GM-17620-00	PRIMARY SLIDING SHEAVE COMP.	1		
4	93101-28139	OIL SEAL	2		
5	4CW-17632-01	WEIGHT	8		
6	4HC-17623-00	CAM	1		
7	4HC-17653-00	SLIDER	4		
8	93211-17733	O-RING	1		
9	5CG-17639-00	STOPPER	1		
10	90157-04088	SCREW, PAN HEAD	4		
11	4HC-17654-00	SPACER 1	4		
12	90387-1906E	COLLAR	1		
13	90201-047R9	WASHER, PLATE	4		
14	90201-144M8	WASHER, PLATE	1		
15	5CG-17641-00	V-BELT	1		
16	4HC-17611-00	SHEAVE, PRIMARY FIXED	1		
17	90179-14469	NUT	1		
18	5GM-17660-00	SECONDARY FIXED SHEAVE COMP.	1		
19	4HC-17670-10	SECONDARY SLIDING SHEAVE	1		
20	93104-41119	OIL SEAL	2		
21	93210-43713	O-RING	2		
22	4CW-17664-00	PIN, GUIDE	4		
23	90501-505J6	SPRING, COMPRESSION	1		
24	5GM-17644-00	SEAT, SPRING	1		
25	5GM-16620-00	CLUTCH CARRIER ASSY	1		
26	5KD-16626-10	.SPRING, CLUTCH WEIGHT 1	3		
27	99001-08600	.CIRCLIP	3		

FIG. 14 CLUTCH




5GM1010-0140

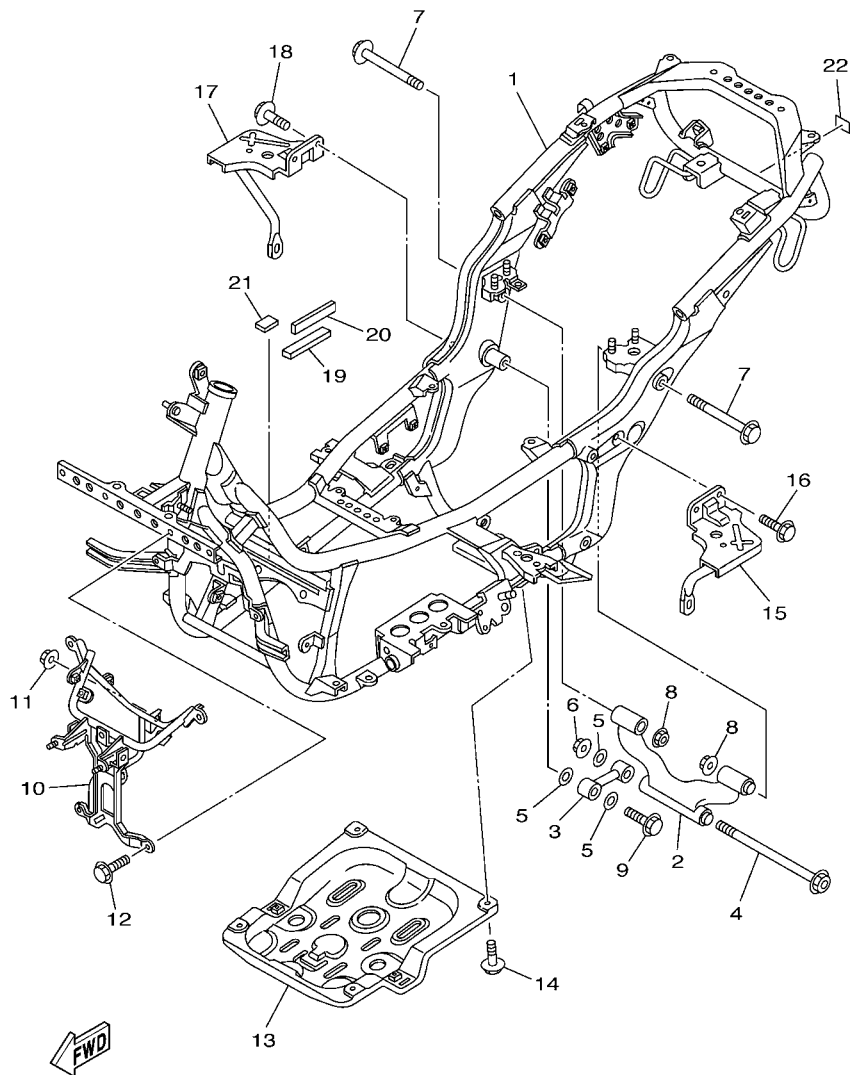
REF. NO.	PART NO.	DESCRIPTION	55.12				REMARKS
28	90170-36279	NUT	1				



FWD
5GM1010-0150

FIG. 15 TRANSMISSION

REF. NO.	PART NO.	DESCRIPTION	55.12				REMARKS
1	5GM-17411-00	AXLE, MAIN	1				
2	5GM-16151-00	GEAR, PRIMARY DRIVEN (15T)	1				
3	90208-21001	WASHER, CONICAL SPRING	1				
4	90201-156R4	WASHER, PLATE	2				
5	93311-41566	BEARING	2				
6	5GM-17421-00	AXLE, DRIVE	1				
7	5GM-17211-00	GEAR, 1ST WHEEL (34T)	1				
8	99009-25400	CIRCLIP	1				
9	90201-232K5	WASHER, PLATE	1				
10	90208-25001	WASHER, CONICAL SPRING	1				
11	93306-30321	BEARING	1				
12	93306-27205	BEARING	1				
13	93102-32298	OIL SEAL	1				
14	93306-30201	BEARING (B6302)	1				
15	5GM-16111-00	GEAR, PRIMARY DRIVE (15T)	1				
16	93306-20570	BEARING	1				
17	93102-25299	OIL SEAL	1				

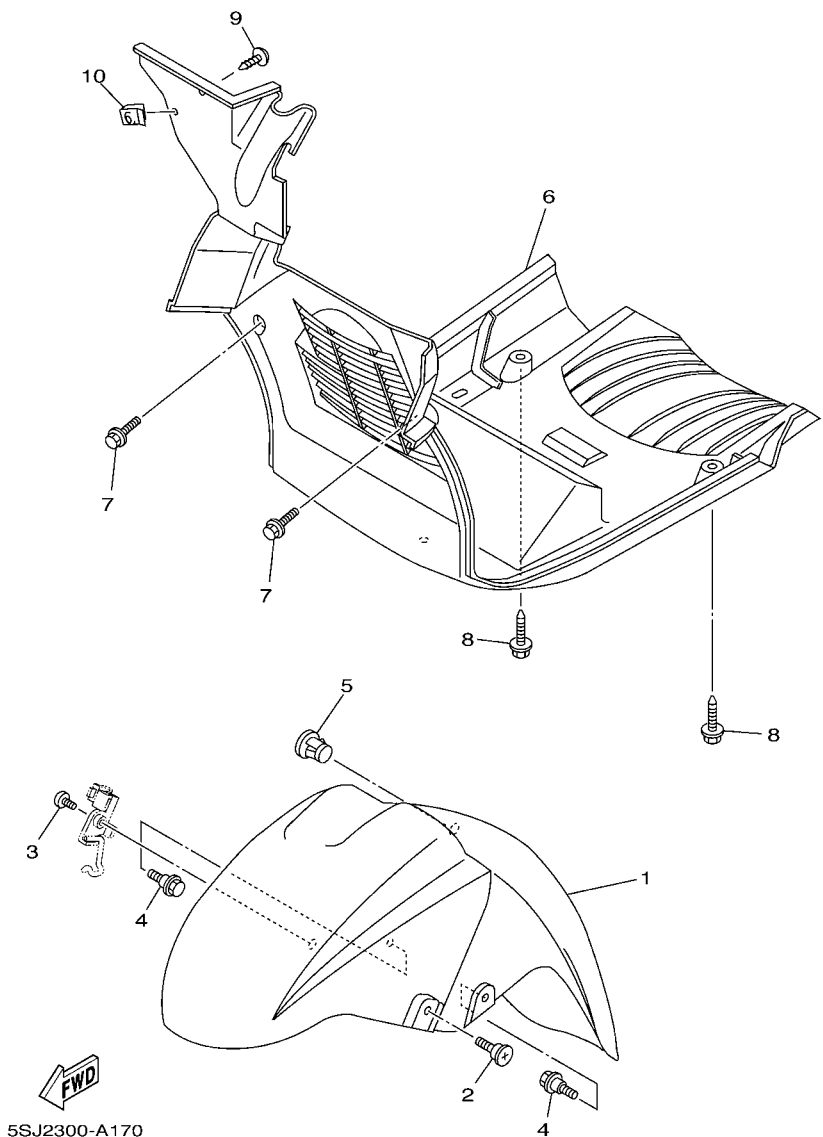


5SJ2300-A160

FIG. 16 FRAME

REF. NO.	PART NO.	DESCRIPTION	5S.J2				REMARKS
1	5GM-21110-02	FRAME COMP.	1				
2	5CG-21420-01	ENGINE BRACKET COMP. 2	1				
3	4HC-21480-00	STAY, ENGINE	1				
4	90105-10023	BOLT, FLANGE	1				
5	90201-105A2	WASHER, PLATE	3				
6	90185-10154	NUT, SELF-LOCKING	1				
7	95817-12120	BOLT, FLANGE	2				
8	90185-12072	NUT, SELF-LOCKING	2				
9	95817-10045	BOLT, FLANGE	1				
10	5SJ-28356-10	STAY 1	1				
11	95707-08500	NUT, FLANGE	1				
12	95807-08016	BOLT, FLANGE	2				
13	5GM-21417-00	BRACKET, FRONT LOWER 1	1				
14	95807-08016	BOLT, FLANGE	4				
15	5GM-27452-00	BRACKET, FOOTREST 1	1				
16	95807-06012	BOLT, FLANGE	3				
17	5GM-27462-00	BRACKET, FOOTREST 2	1				
18	95807-06012	BOLT, FLANGE	3				
19	5GM-27415-00	PLATE DAMPER	1				
20	5GM-27424-00	DAMPER, FOOTREST 2	1				
21	5GM-27445-00	PLATE 1	1				
22	1UF-15379-00	SEAL, CRANKCASE	1				

FIG. 17 FENDER



REF. NO.	PART NO.	DESCRIPTION	5S.J2					REMARKS
1	4HC-21511-01-0L	FENDER, FRONT	1					UR MAS
	4HC-21511-01-PG	FENDER, FRONT	1					UR PPBM3
	4HC-21511-01-PH	FENDER, FRONT	1					UR DRMD
	4HC-21511-01-PE	FENDER, FRONT	1					UR VDBMA
2	90154-06014	SCREW, BINDING	1					
3	90149-06184	SCREW, BINDING	1					
4	90109-060F3	BOLT	2					
5	5CG-21279-00	PLUG, BLIND	1					
6	5GM-21552-00	FENDER, INNER	1					
7	90119-06044	BOLT, WITH WASHER	2					
8	90119-06060	BOLT, WITH WASHER	2					
9	97707-50016	SCREW, TAPPING	1					
10	90183-05042	NUT, SPRING	1					

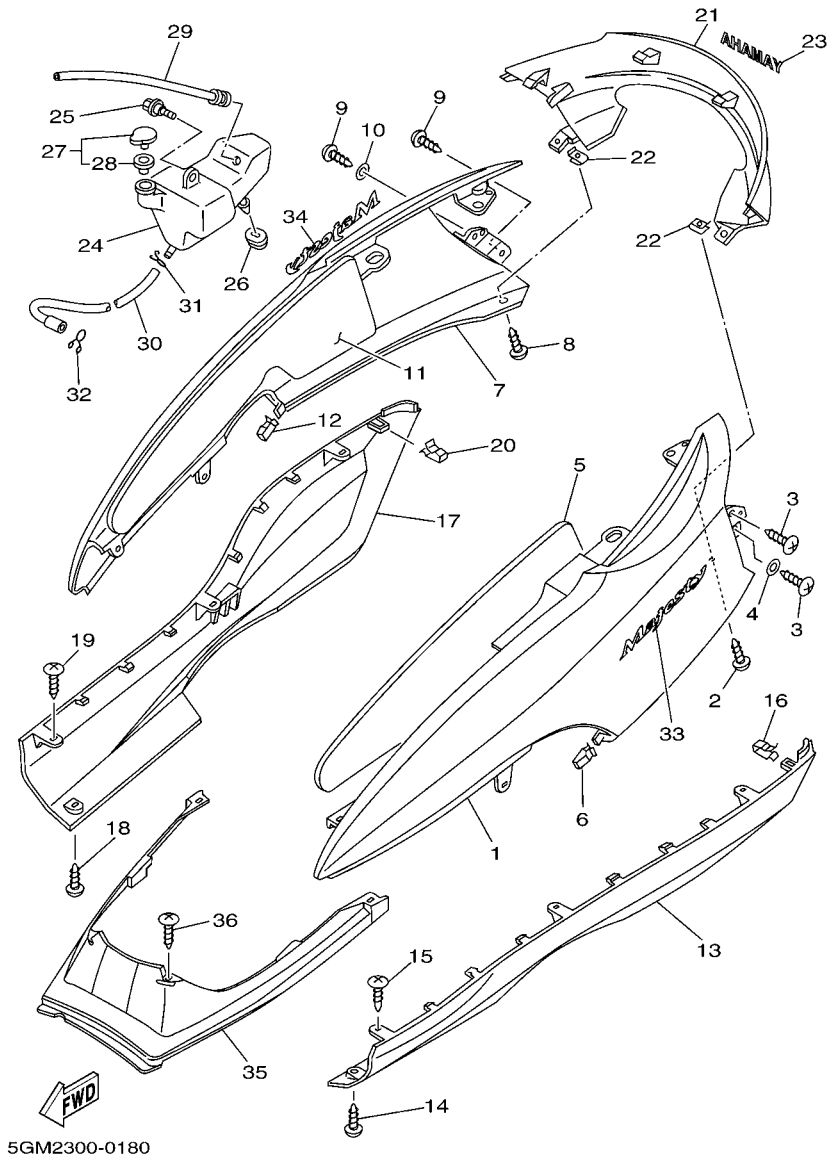


FIG. 18 SIDE COVER

REF. NO.	PART NO.	DESCRIPTION	5S:J2				REMARKS
1	5GM-21711-01-0L	COVER, SIDE 1	1				UR MAS
	5GM-21711-01-P7	COVER, SIDE 1	1				UR PPBM3
	5GM-21711-01-P8	COVER, SIDE 1	1				UR DRMD
	5GM-21711-01-P5	COVER, SIDE 1	1				UR VDBMA
2	90167-05079	SCREW, TAPPING	2				
3	97707-50012	SCREW, TAPPING	4				
4	90201-05725	WASHER, PLATE	1				
5	5GM-21778-00	DAMPER, LOCATING 1	1				
6	5GM-28379-00	HOOK	1				
7	5GM-21721-01-0L	COVER, SIDE 2	1				UR MAS
	5GM-21721-01-P7	COVER, SIDE 2	1				UR PPBM3
	5GM-21721-01-P8	COVER, SIDE 2	1				UR DRMD
	5GM-21721-01-P5	COVER, SIDE 2	1				UR VDBMA
8	90167-05079	SCREW, TAPPING	2				
9	97707-50012	SCREW, TAPPING	4				
10	90201-05725	WASHER, PLATE	1				
11	5GM-21779-00	DAMPER, LOCATING 2	1				
12	5GM-28379-00	HOOK	1				
13	5GM-2171L-00-0L	MOLE, SIDE COVER 1	1				UR MAS
	5GM-2171L-00-P7	MOLE, SIDE COVER 1	1				UR PPBM3
	5GM-2171L-00-P8	MOLE, SIDE COVER 1	1				UR DRMD
	5GM-2171L-00-P5	MOLE, SIDE COVER 1	1				UR VDBMA
14	97707-50016	SCREW, TAPPING	1				
15	97707-50012	SCREW, TAPPING	3				
16	5GM-28379-00	HOOK	1				
17	5GM-2171M-00-0L	MOLE, SIDE COVER 2	1				UR MAS
	5GM-2171M-00-P7	MOLE, SIDE COVER 2	1				UR PPBM3

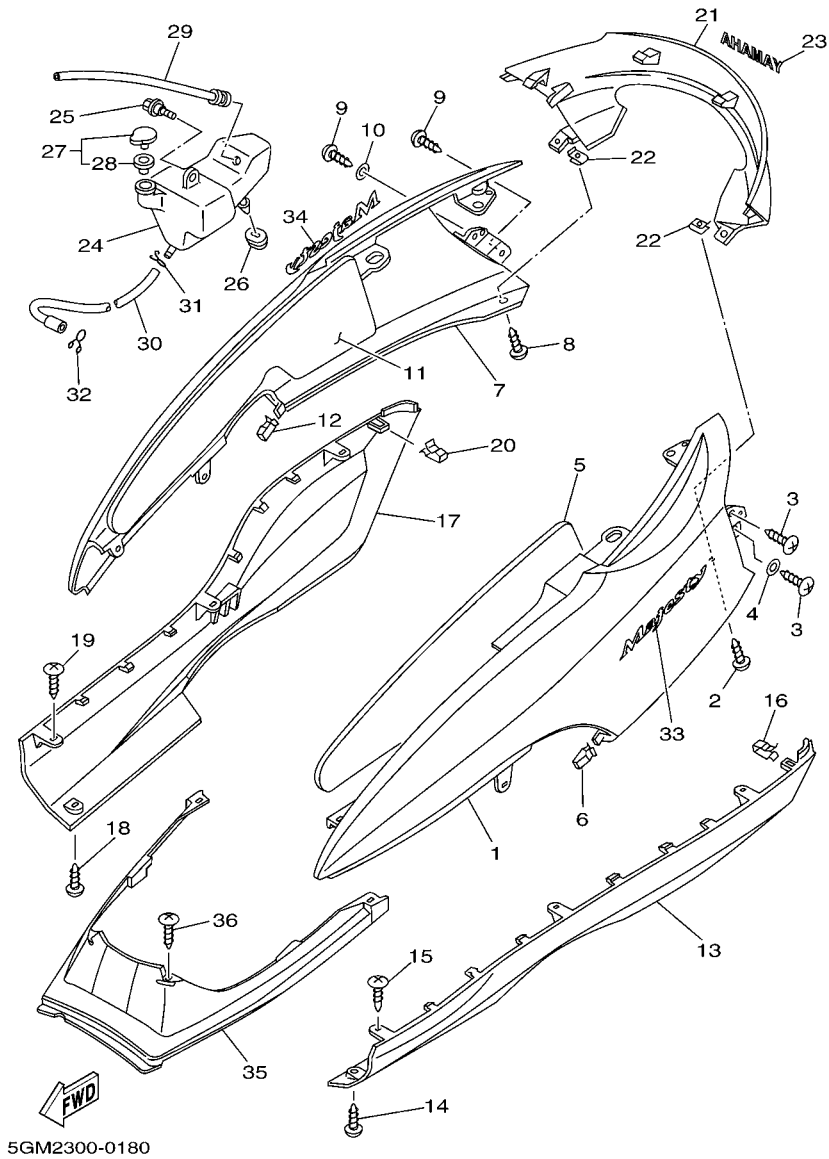
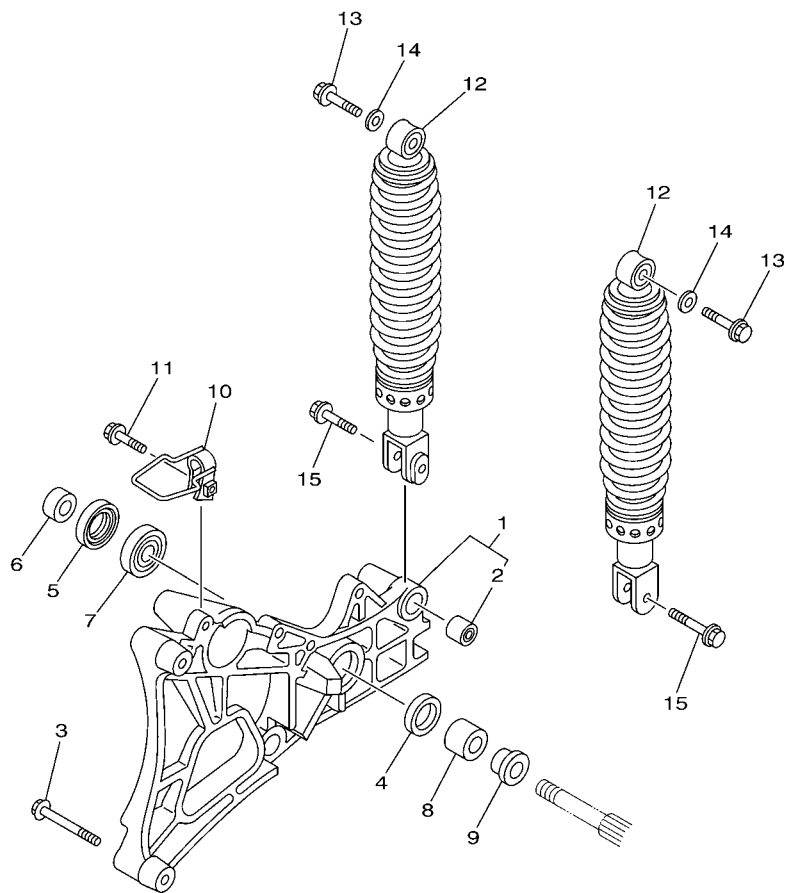


FIG. 18 SIDE COVER

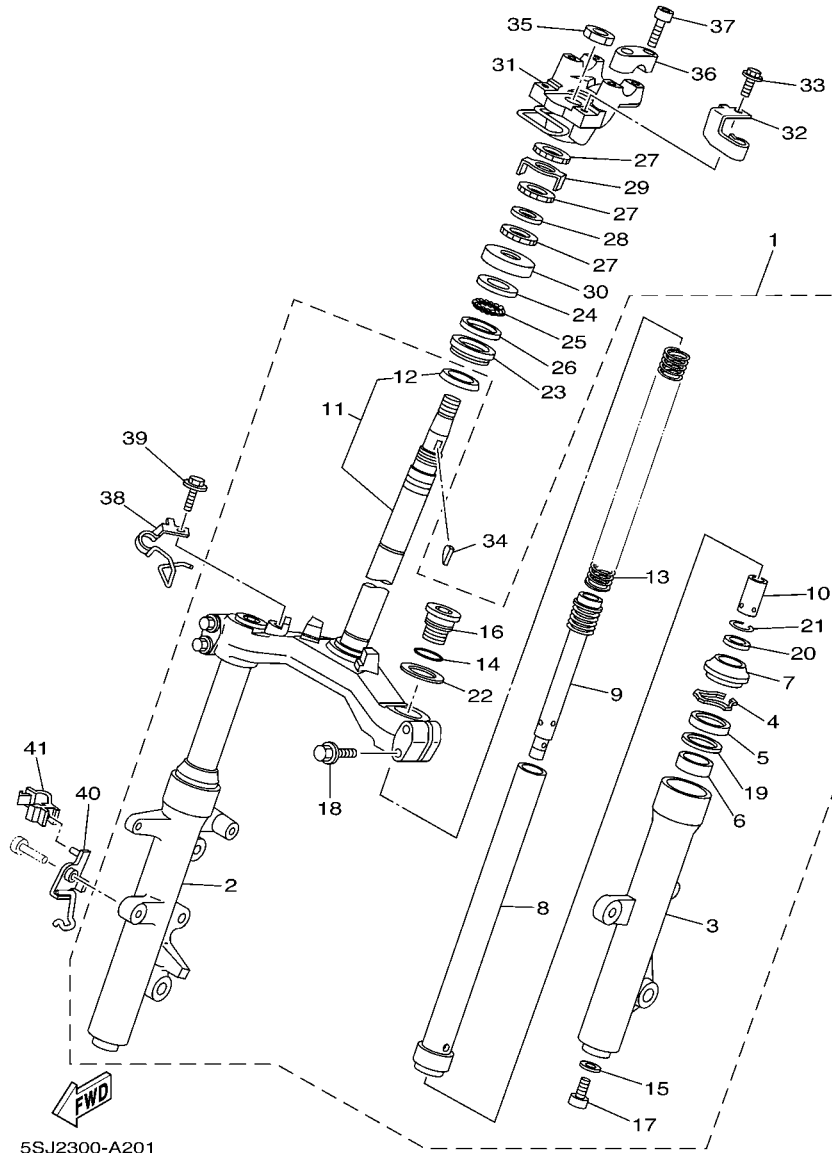
REF. NO.	PART NO.	DESCRIPTION	5S12				REMARKS
17	5GM-2171M-00-P8	MOLE, SIDE COVER 2	1				UR DRMD
	5GM-2171M-00-P5	MOLE, SIDE COVER 2	1				UR VDBMA
18	97707-50016	SCREW, TAPPING	1				
19	97707-50012	SCREW, TAPPING	3				
20	5GM-28379-00	HOOK	1				
21	5GM-2171N-00-0L	MOLE, SIDE COVER 3	1				UR MAS
	5GM-2171N-00-P7	MOLE, SIDE COVER 3	1				UR PPBM3
	5GM-2171N-00-P8	MOLE, SIDE COVER 3	1				UR DRMD
	5GM-2171N-00-P5	MOLE, SIDE COVER 3	1				UR VDBMA
22	90183-05042	NUT, SPRING	2				
23	99247-00080	EMBLEM, YAMAHA	1				EXCEPT FOR VDBMA
	99246-00080	EMBLEM, YAMAHA	1				FOR VDBMA
24	5GM-21871-00	TANK, RECOVERY	1				
25	90109-063F1	BOLT	1				
26	90480-01288	GROMMET	1				
27	1AA-21815-00	CAP	1				
28	1AA-21874-00	.GASKET	1				
29	5GM-21816-00	PIPE 1	1				
30	5GM-21817-00	PIPE 2	1				
31	90467-08003	CLIP	1				
32	90467-10008	CLIP	1				
33	5GM-2173B-00	EMBLEM	1				
34	5GM-2173B-00	EMBLEM	1				
35	5GM-21731-00	COVER, SIDE 3	1				
36	97707-50016	SCREW, TAPPING	4				

FIG. 19 REAR ARM. SUSPENSION



REF. NO.	PART NO.	DESCRIPTION	55.12				REMARKS
1	5GM-22100-00	REAR ARM ASSY	1				
2	164-22216-00	.BUSH, REAR SHOCK ABSORBER	1				
3	95817-08070	BOLT, FLANGE	2				
4	93109-28043	OIL SEAL	1				
5	93106-26005	OIL SEAL	1				
6	90387-15423	COLLAR	1				
7	93306-30212	BEARING	1				
8	90387-154E1	COLLAR	1				
9	90387-155F2	COLLAR	1				
10	5GM-25875-00	HOLDER, BRAKE HOSE 1	1				
11	95807-06025	BOLT, FLANGE	1				
12	5GM-22210-00	SHOCK ABSORBER ASSY, REAR	2				
13	95827-10035	BOLT, FLANGE	2				
14	90201-105A2	WASHER, PLATE	2				
15	95827-08030	BOLT, FLANGE	2				


5GM1010-0190



5SJ2300-A201

FIG. 20 STEERING

REF. NO.	PART NO.	DESCRIPTION	5SJ2				REMARKS
1	5GM-23100-01	FRONT FORK ASSY	1				
2	4HC-23136-11	.TUBE, OUTER (RIGHT)	1				
3	4HC-23126-10	.TUBE, OUTER (LEFT)	1				
4	22W-23153-L0	.RING, SNAP	2				
5	2UJ-23145-00	.OIL SEAL	2				
6	4HC-23125-20	.METAL, SLIDE 1	2				
7	2UJ-23144-00	.SEAL, DUST	2				
8	5GM-23110-00	.INNER TUBE COMP.1	2				
9	5GM-23170-00	.CYLINDER COMP., FRONT FORK	2				
10	4HC-23173-20	.SPINDLE, TAPER	2				
11	5GM-23340-01	.UNDER BRACKET COMP.	1				
12	164-23462-00	..SEAL, STEERING	1				
13	5GM-23141-00	.SPRING, FRONT FORK	2				
14	3J2-23114-00	.O-RING	2				
15	509-23158-L0	.GASKET	2				
16	5RB-23111-00	.BOLT, CAP	2				
17	278-23181-50	.BOLT, HEXAGON SOCKET HEAD	2				
18	95027-08040	.BOLT, FLANGE	4				
19	22W-23146-L0	.WASHER, OIL SEAL	2				
20	4HC-23184-10	.CAP, AIR VALVE	2				
21	3G2-23183-00	.RING, SNAP	2				
22	3DM-23149-10	.WASHER, SPRING UPPER	2				
23	93399-99942	BEARING	1				
24	22F-23411-01	RACE, BALL 1	1				
25	22F-2341E-00	RETAINER, BALL BEARING	1				
26	22F-23412-01	RACE, BALL 2	1				
27	90179-25615	NUT	3				

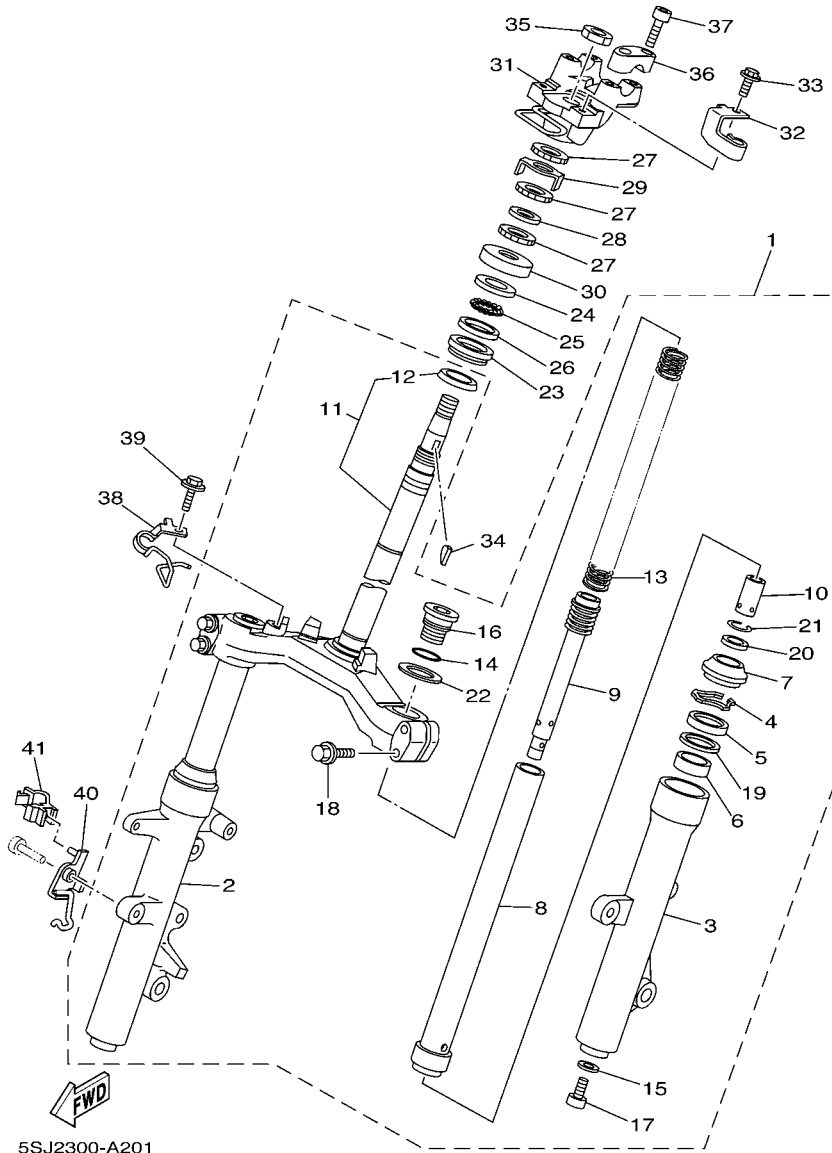
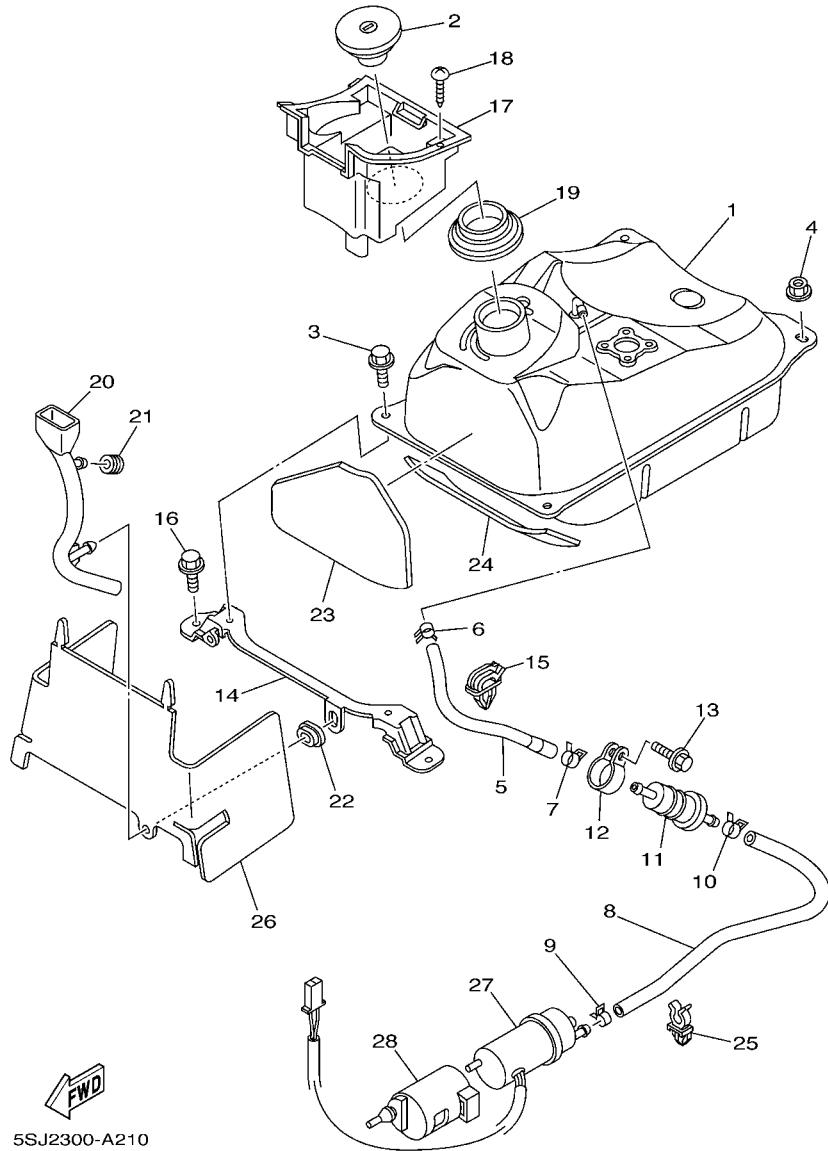


FIG. 20 STEERING

REF. NO.	PART NO.	DESCRIPTION	5SJ2				REMARKS
28	90202-26142	WASHER, PLATE	1				
29	3YF-23418-00	WASHER, SPECIAL	1				
30	3VP-23416-00	COVER, BALL RACE 2	1				
31	5SJ-23442-00	HOLDER, HANDLE LOWER	1				
32	5SJ-25887-00	HOLDER, BRAKE HOSE	1				
33	90105-05002	BOLT, FLANGE	1				
34	90280-03017	KEY, WOODRUFF	1				
35	90170-20386	NUT	1				
36	4H7-23441-00-98	HOLDER, HANDLE UPPER	2				LGB
37	91317-08030	BOLT	4				
38	4HC-25875-01	HOLDER, BRAKE HOSE 1	1				
39	95807-06012	BOLT, FLANGE	1				
40	5RB-23317-00	HOLDER, CABLE	1				
41	90464-05188	CLAMP	1				

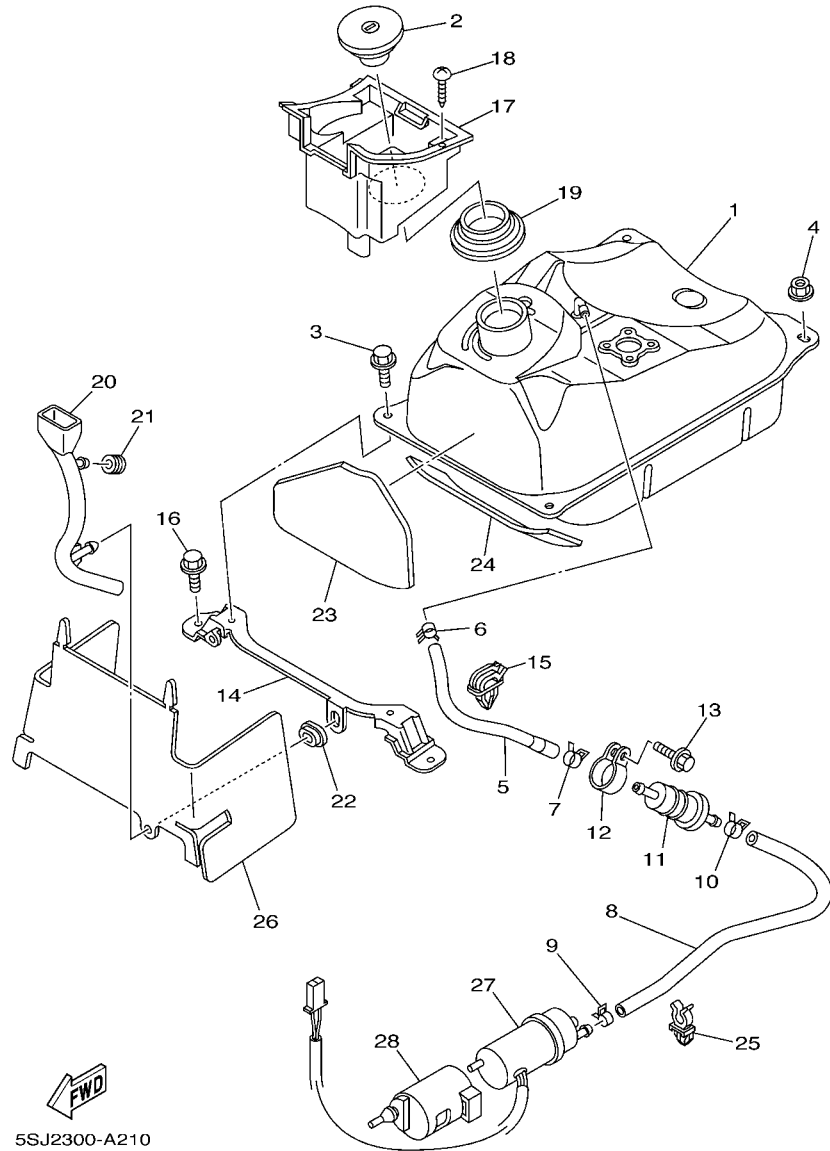
FIG. 21 FUEL TANK



5SJ2300-A210

REF. NO.	PART NO.	DESCRIPTION	5S12				REMARKS
1	5GM-24110-11	FUEL TANK COMP.	1				
2	3KJ-24602-03	CAP ASSY	1				
3	95827-06012	BOLT, FLANGE	2				
4	95707-06500	NUT, FLANGE	2				
5	5GM-24311-00	PIPE, FUEL 1	1				
6	90467-10038	CLIP	1				
7	90467-12053	CLIP	1				
8	5GM-24312-00	PIPE 2	1				
9	90467-10038	CLIP	1				
10	90467-12053	CLIP	1				
11	1FK-24560-10	FILTER ASSY	1				
12	1AE-24366-00	CLAMP, FUEL PIPE 1	1				
13	95027-06012	BOLT, FLANGE	1				
14	5GM-24191-00	BRACKET, FUEL TANK 1	1				
15	90464-07001	CLAMP	1				
16	95827-06012	BOLT, FLANGE	2				
17	5GM-2414A-00	COVER, FILLER	1				
18	97707-50012	SCREW, TAPPING	2				
19	5GM-2414G-00	SEAL	1				
20	5GM-24667-00	GUIDE, PIPE	1				
21	90480-12237	GROMMET	1				
22	90480-01558	GROMMET	1				
23	5GM-24145-00	DAMPER, SIDE COVER	1				
24	5GM-24145-10	DAMPER, SIDE COVER	1				
25	90464-09008	CLAMP	2				
26	5GM-2414H-00	DAMPER, PLATE 1	1				
27	2GV-13907-00	FUEL PUMP COMP.	1				

FIG. 21 FUEL TANK



5SJ2300-A210

REF. NO.	PART NO.	DESCRIPTION	5S.J2				REMARKS
28	5GM-24492-00	BUSH, FUELE PUMP	1				

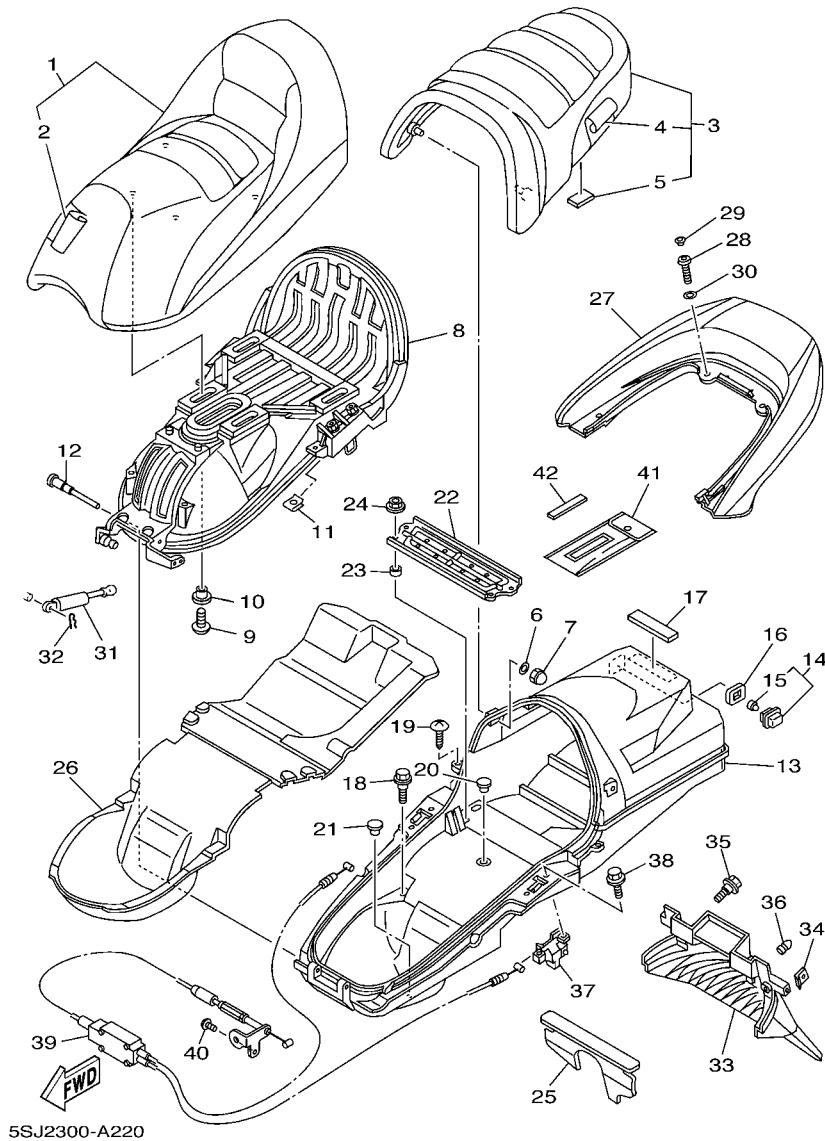
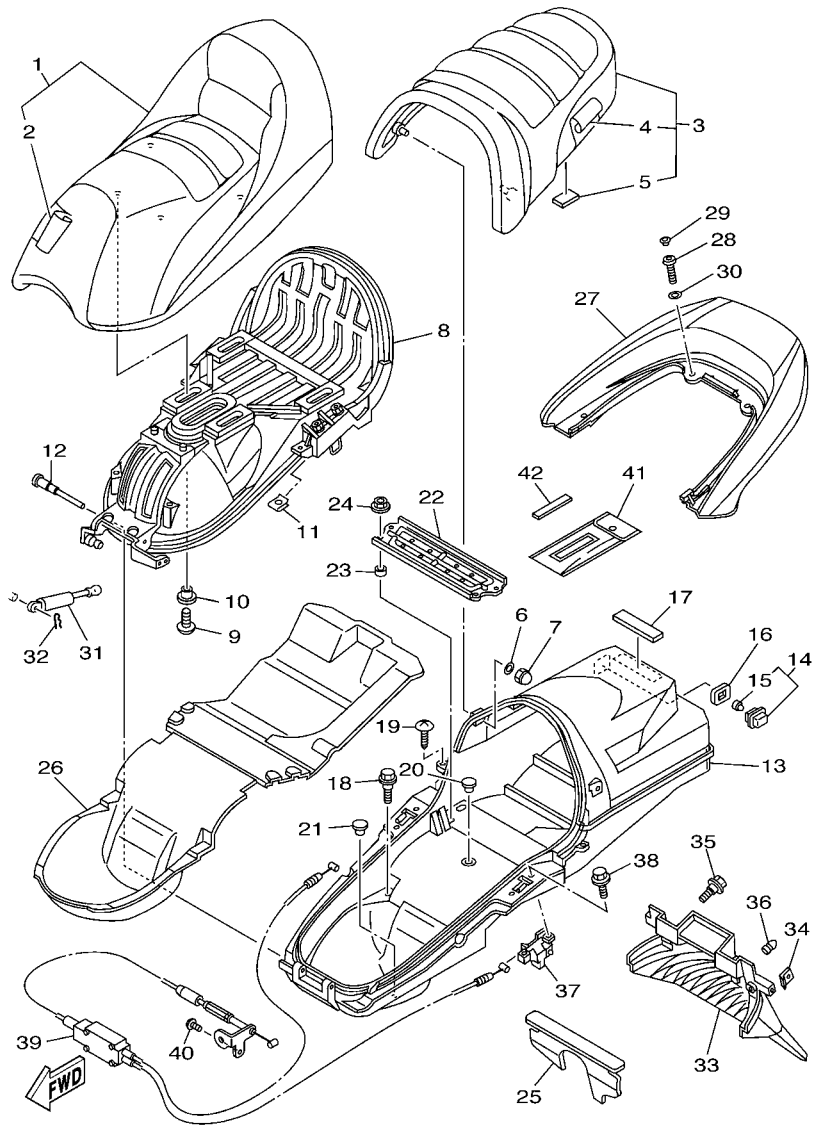


FIG. 22 SEAT

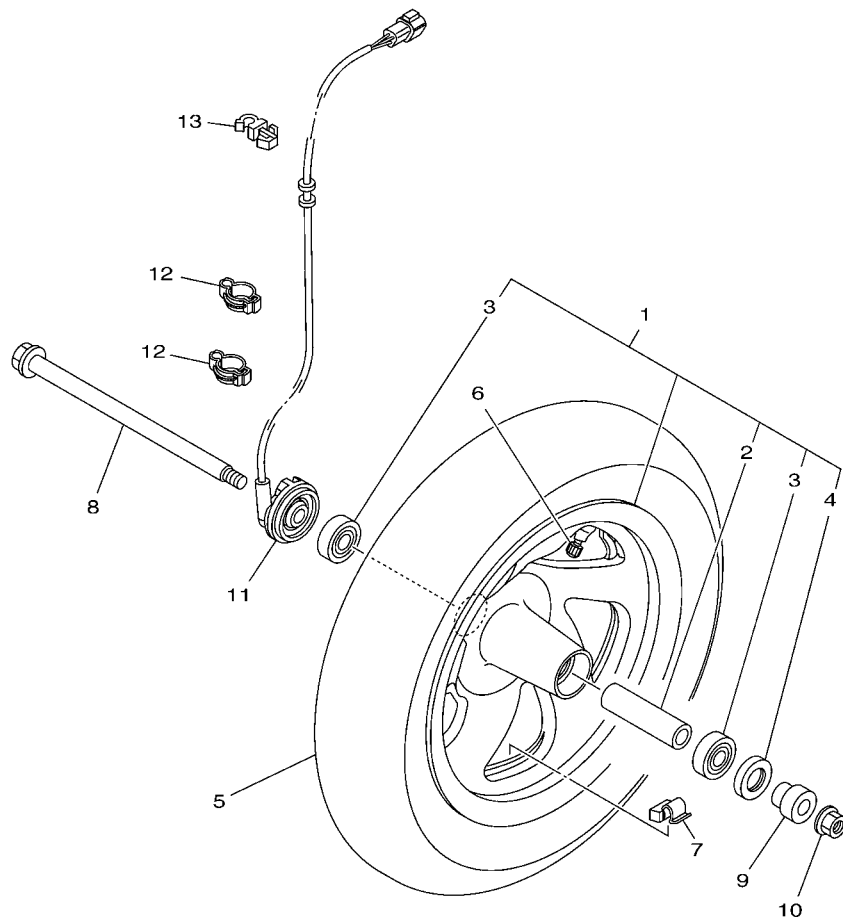
REF. NO.	PART NO.	DESCRIPTION	5S.J2				REMARKS
1	5SJ-24710-20	SINGLE SEAT ASSY	1				
2	5SJ-2470F-20	.SEAT COVER COMP.	1				
3	5GM-24750-A0	TANDEM SEAT ASSY	1				
4	5GM-2470F-B0	.SEAT COVER COMP.	1				
5	5GM-24747-00	.DAMPER, SEAT	2				
6	90201-06057	WASHER, PLATE	2				
7	90176-06003	NUT, CROWN	2				
8	5GM-2470E-02	BOTTOM PLATE COMP.	1				
9	90110-06202	BOLT, HEXAGON SOCKET HEAD	4				
10	90387-06500	COLLAR	4				
11	90183-05042	NUT, SPRING	2				
12	5GM-24774-00	PIN	1				
13	5GM-24704-01	BOX ASSY	1				
14	4HC-84770-00	LIGHT, ACCESORY	1				
15	4HC-84347-00	.BULB (12V-2W)	1				
16	5GM-2839M-00	SEAL, BOX 2	1				
17	22F-24182-00	DAMPER, LOCATING 2	1				
18	90109-063F1	BOLT	4				
19	97707-50016	SCREW, TAPPING	2				
20	90338-11125	PLUG	1				
21	5GM-2467E-00	CAP	1				
22	5GM-24738-00	BRACKET, SEAT	1				
23	90560-08326	SPACER	4				
24	95707-08500	NUT, FLANGE	4				
25	5GM-2177F-00	COVER	1				
26	5GM-24723-00	DAMPER, SEAT	1				
27	5GM-24773-00-0L	HANDLE, SEAT	1				UR MAS



5SJ2300-A220

FIG. 22 SEAT

REF. NO.	PART NO.	DESCRIPTION	5S.U2				REMARKS
27	5GM-24773-00-P7	HANDLE, SEAT	1				UR PPBM3
	5GM-24773-00-P8	HANDLE, SEAT	1				UR DRMD
	5GM-24773-00-P5	HANDLE, SEAT	1				UR VDBMA
28	90109-084F7	BOLT	4				
29	341-23469-00	CAP, BOLT	4				
30	90201-08784	WASHER, PLATE	4				
31	5GM-2478G-01	STOPPER	1				
32	90468-18121	CLIP	1				
33	5GM-21629-00	GUARD, MUD	1				
34	90183-05042	NUT, SPRING	2				
35	90109-063F1	BOLT	2				
36	5A8-21639-00	DAMPER 2	1				
37	5GM-24780-01	SEAT LOCK ASSY	2				
38	90109-063F1	BOLT	4				
39	5GM-2478D-01	SEAT LOCK CABLE ASSY	1				
40	98507-05010	SCREW, PAN HEAD	1				
41	5GM-28100-00	TOOL KIT	1				
42	4KG-2814E-10	HOOK	1				



5SJ2300-A230

FIG. 23 FRONT WHEEL

REF. NO.	PART NO.	DESCRIPTION	5S/J2				REMARKS
1	5RB-25160-00-35	CAST WHEEL, FRONT	1				SL
2	5RB-25383-00	.COLLAR, WHEEL	1				
3	93306-30212	.BEARING	2				
4	93102-22014	.OIL SEAL	1				
5	94111-1214N	TIRE (110/90-12 64L MB67/TL)	1				UR INOUE
		TIRE (110/90-12 64L TL/TT)	1				UR LM MICHELIN
6	93900-00022	VALVE, RIM (TR413)	1				TAIHEIYO
7	5MT-25398-00	BALANCER, WHEEL (10G)	1				UN
	5MT-25398-10	BALANCER, WHEEL (20G)	1				UN
	5MT-25398-20	BALANCER, WHEEL (30G)	1				UN
8	4HC-25181-00	AXLE, WHEEL	1				
9	90387-151R0	COLLAR	1				
10	90185-14166	NUT, SELF-LOCKING	1				
11	5RB-83755-01	SENSOR, SPEED	1				
12	90465-14310	CLAMP	2				
13	90464-08051	CLAMP	1				

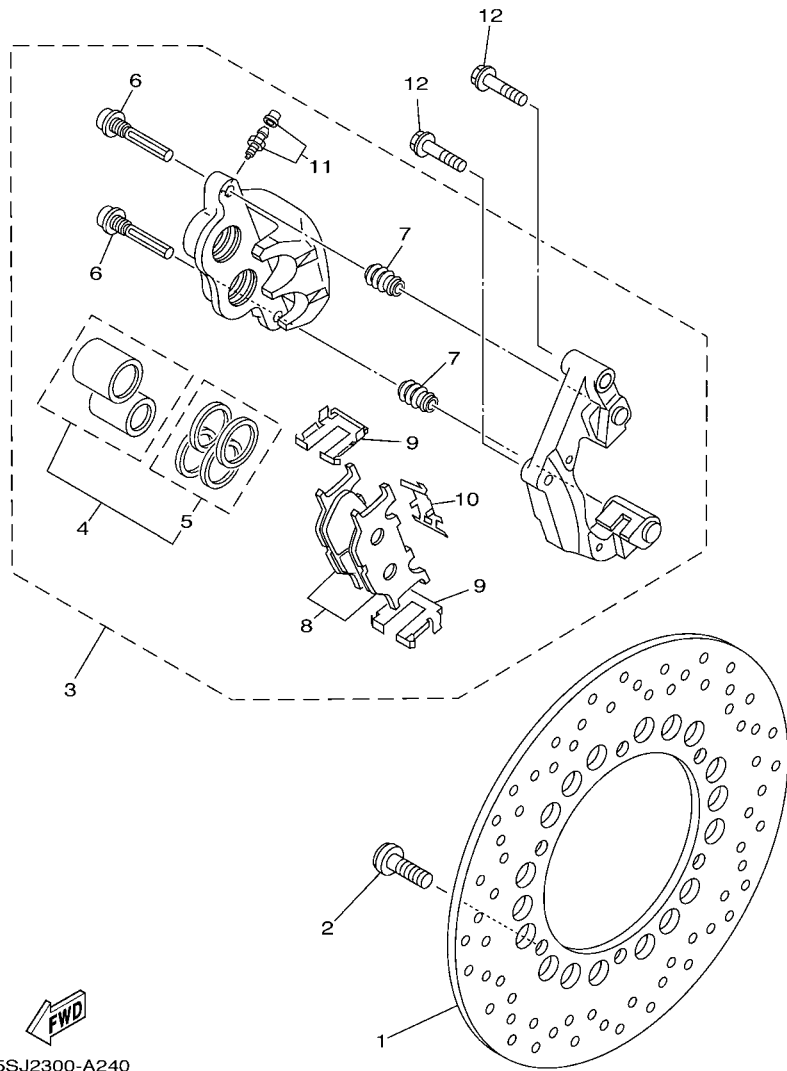
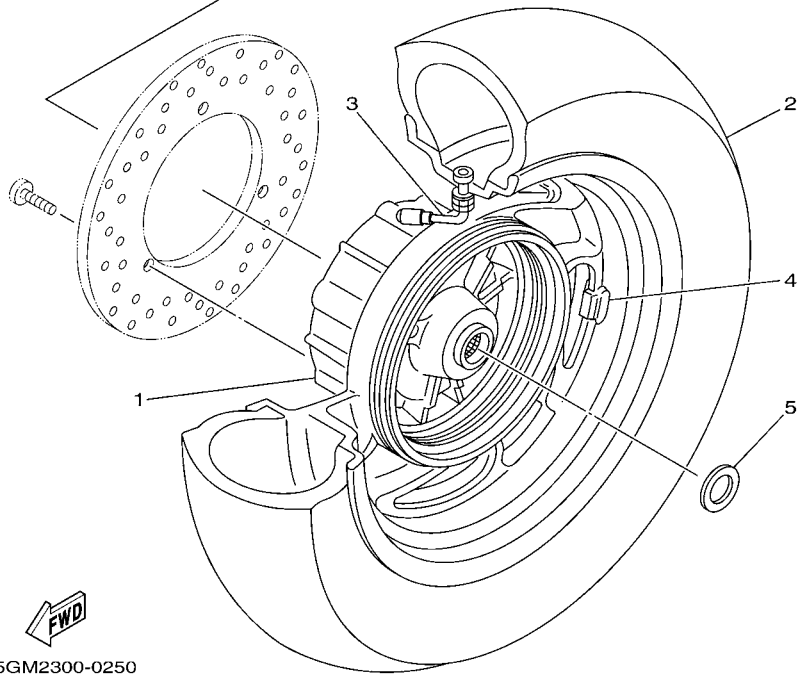
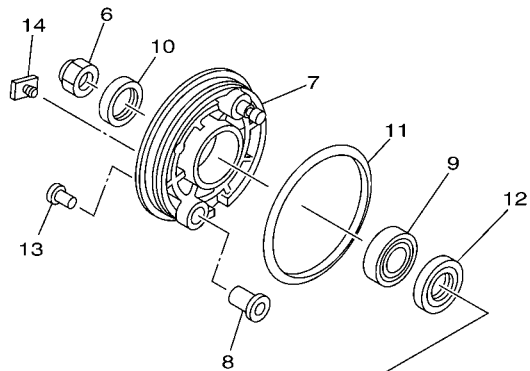


FIG. 24 FRONT BRAKE CALIPER

REF. NO.	PART NO.	DESCRIPTION	5SJ2				REMARKS
1	4HC-2582T-00	DISC, BRAKE (LEFT)	1				
2	90109-083G4	BOLT	6				
3	5SJ-2580U-00	CALIPER ASSY (RIGHT)	1				
4	5KS-W0057-00	.PISTON ASSY, CALIPER	1				
5	4FU-W0047-00	..CALIPER SEAL KIT	1				
6	5JW-25914-00	.PIN, SLIDE	2				
7	4TT-25937-00	.BOOT 2	2				
8	4HM-W0045-00	.BRAKE PAD KIT	1				
9	4BP-25919-00	.SUPPORT, PAD	2				
10	3YX-25929-00	.SPRING, ANTI RATTLE	1				
11	51L-W0048-00	.BLEED SCREW KIT	1				
12	90105-10638	BOLT, FLANGE	2				

5SJ2300-A240



5GM2300-0250

FIG. 25 REAR WHEEL

REF. NO.	PART NO.	DESCRIPTION	5S.12				REMARKS
1	5GM-25338-00-35	CAST WHEEL, REAR	1				SL
2	94113-1204P	TIRE (130/70-12 62L MB67/TL)	1				UR INOUE
	*	TIRE (130/70-12 62L TL/TT)	1				UR LM MICHELIN
3	93900-00025	VALVE, RIM (TR413)	1				
4	5MT-25398-00	BALANCER, WHEEL (10G)	1				UN
	5MT-25398-10	BALANCER, WHEEL (20G)	1				UN
	5MT-25398-20	BALANCER, WHEEL (30G)	1				UN
5	90201-220J8	WASHER, PLATE	1				
6	90185-14163	NUT, SELF-LOCKING	1				
7	5GM-25321-00-35	PLATE, BRAKE SHOE	1				SL
8	5GM-25328-00	BUSH, CAMSHAFT	1				
9	93306-30212	BEARING	1				
10	93109-28043	OIL SEAL	1				
11	5GM-25319-00	SEAL, HUB DUST	1				
12	93102-22014	OIL SEAL	1				
13	90338-10150	PLUG	1				
14	5GM-25683-00	SPACER	1				

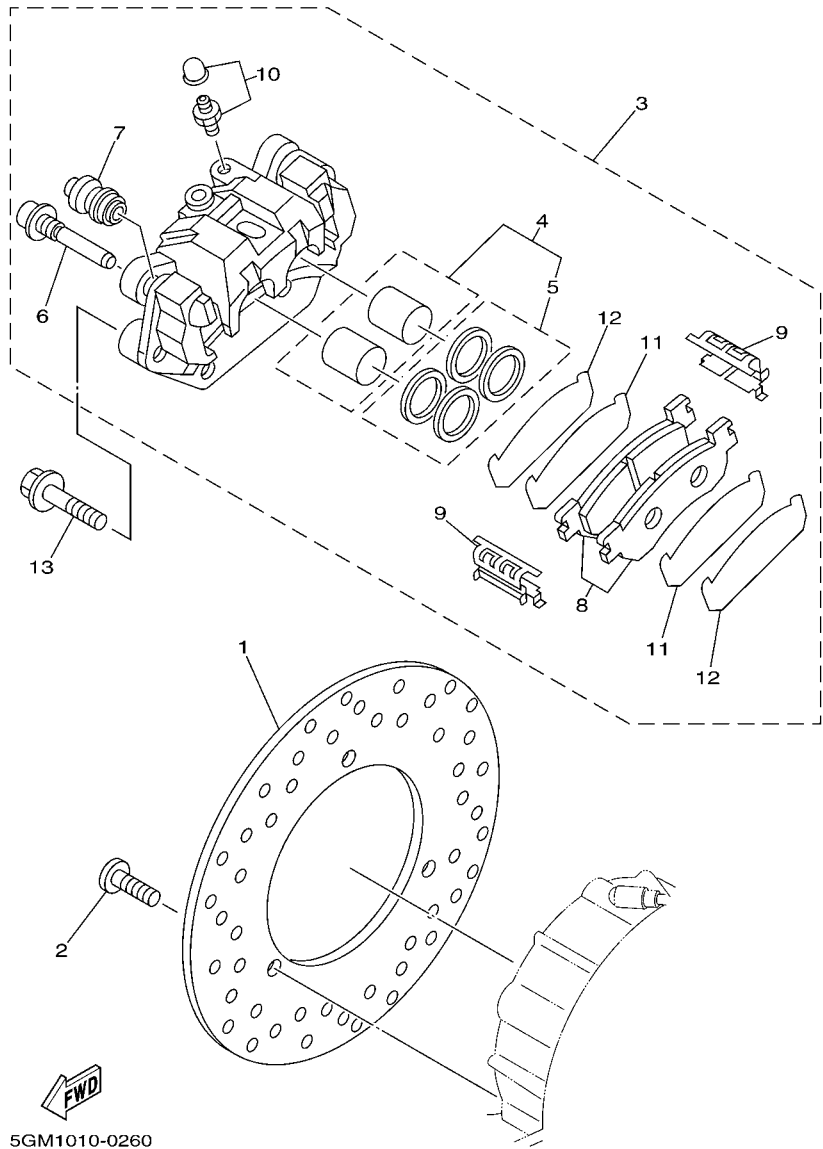
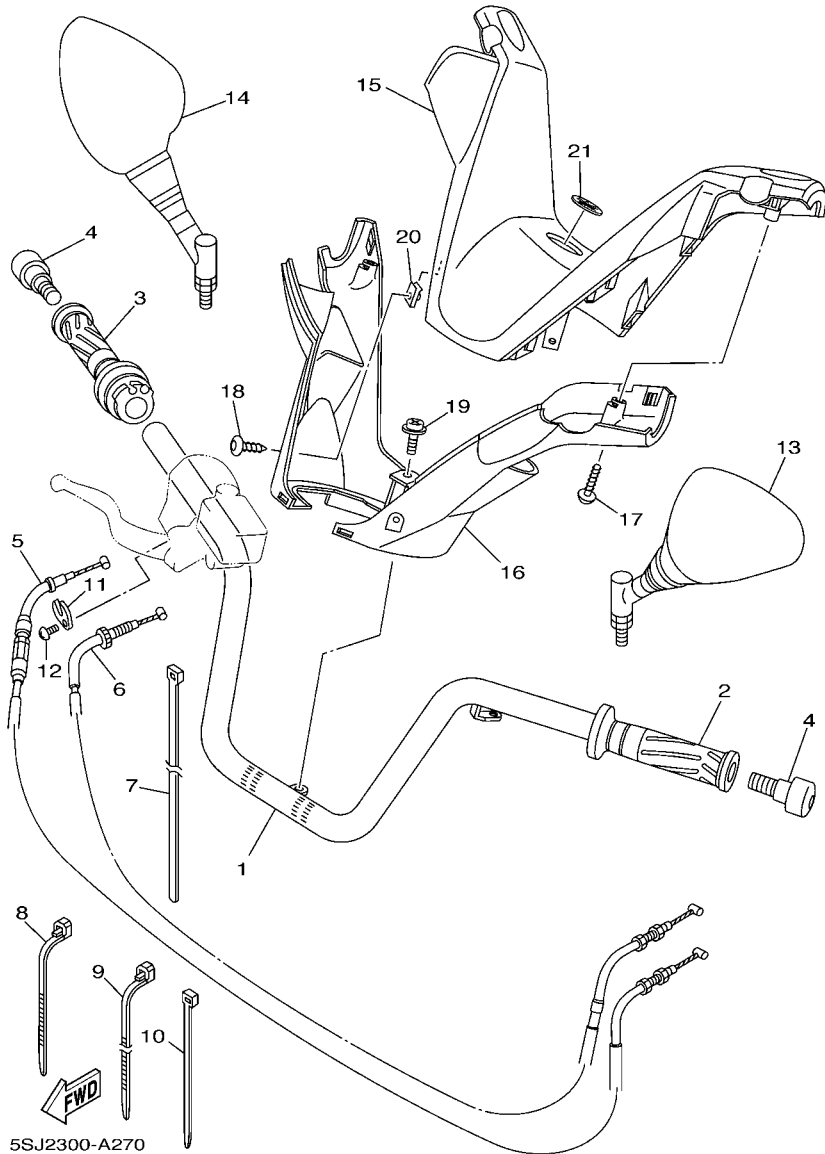


FIG. 26 REAR BRAKE CALIPER

REF. NO.	PART NO.	DESCRIPTION	5S12				REMARKS
1	5GM-2582W-00	DISC, REAR BRAKE 2	1				
2	90109-083G4	BOLT	3				
3	5GM-2580W-01	CALIPER ASSY, REAR 2	1				
4	5GM-W0057-00	.PISTON ASSY, CALIPER	1				
5	4TT-W0047-00	..CALIPER SEAL KIT	1				
6	5GM-25914-00	.PIN, SLIDE	2				
7	4TT-25937-00	.BOOT 2	2				
8	5GM-W0046-00	.BRAKE PAD KIT 2	1				
9	4TT-25919-00	.SUPPORT, PAD	2				
10	5GM-W0048-00	.BLEED SCREW KIT	1				
11	5EB-25828-00	.SHIM, CALIPER	2				
12	5GM-25828-00	.SHIM, CALIPER	2				
13	90105-10638	BOLT, FLANGE	3				

FIG. 27 STEERING HANDLE. CABLE



5SJ2300-A270

REF. NO.	PART NO.	DESCRIPTION	5S12				REMARKS
1	5SJ-26110-00	HANDLE COMP.	1				
2	4YR-26241-01	GRIP (LEFT)	1				
3	4YR-26240-01	GRIP ASSY	1				
4	33M-26246-00	END, GRIP	2				
5	5SJ-26311-00	CABLE, THROTTLE 1	1				
6	5SJ-26312-00	CABLE, THROTTLE 2	1				
7	90464-20258	CLAMP	1				
8	90464-15195	CLAMP	2				
9	90460-15126	CLAMP, HOSE	1				
10	90465-13152	CLAMP	1				
11	5H0-26393-00	HOLDER	1				
12	98507-05008	SCREW, PAN HEAD	1				
13	5CG-26280-01	REAR VIEW MIRROR ASSY (LEFT)	1				
14	5CG-26290-01	REAR VIEW MIRROR ASSY (RIGHT)	1				
15	5SJ-26143-00	COVER, HANDLEBAR UPPER 1	1				
16	5SJ-26144-00	COVER, HANDLEBAR LOWER 1	1				
17	90167-05080	SCREW, TAPPING	2				
18	90167-05079	SCREW, TAPPING	2				
19	90159-05028	SCREW, WITH WASHER	1				
20	90183-05042	NUT, SPRING	2				
21	5LV-2836B-01	TUNING FORK MARK	1				

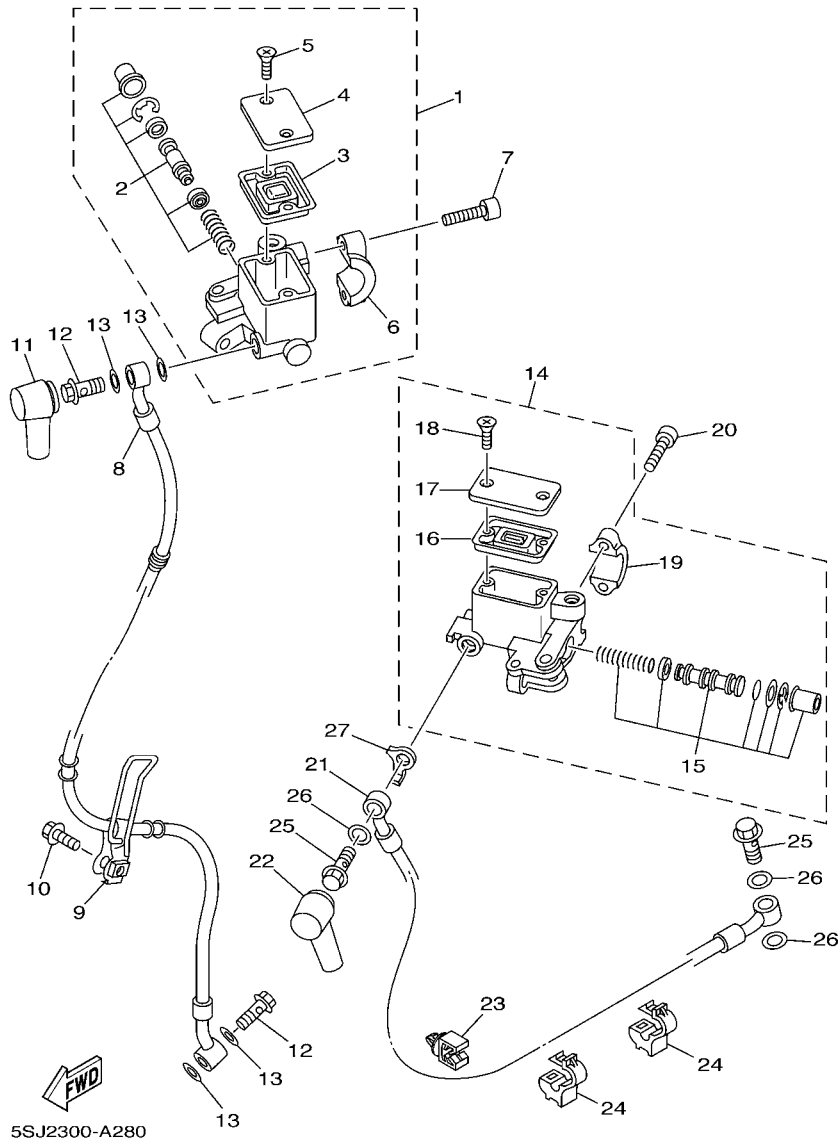
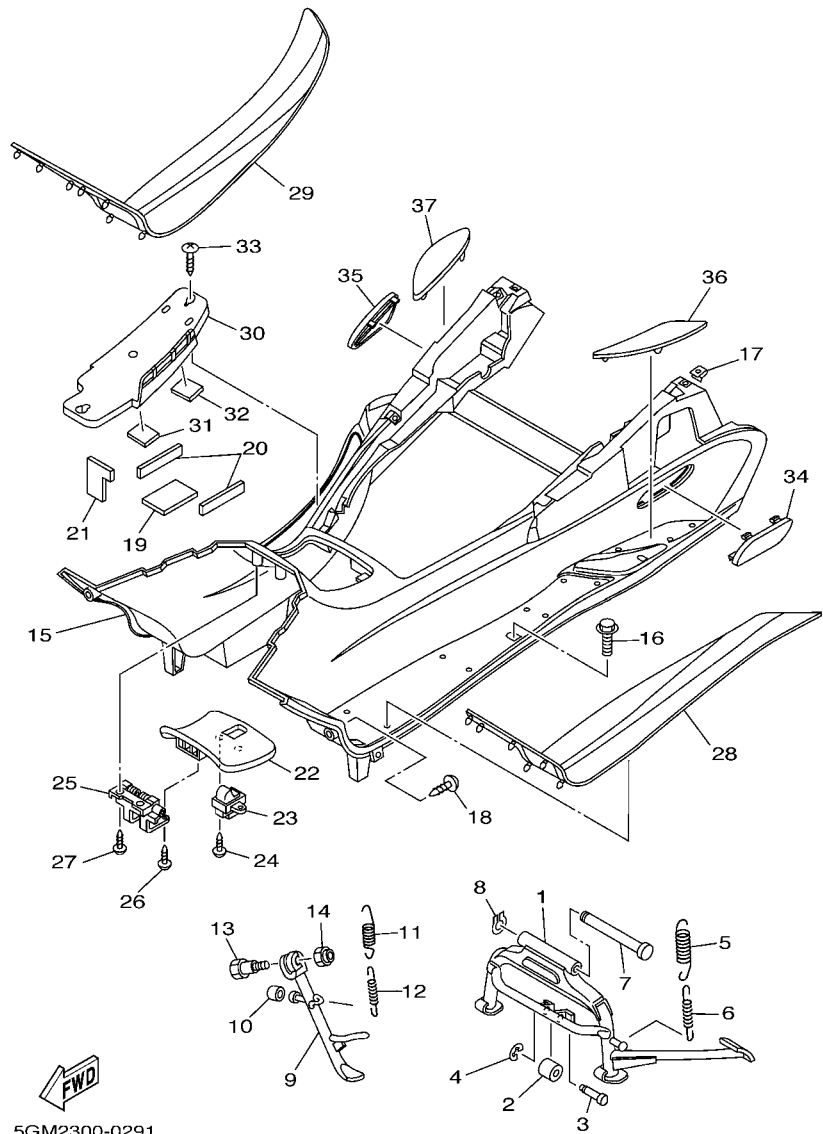


FIG. 28 FRONT MASTER CYLINDER

REF. NO.	PART NO.	DESCRIPTION	5S12				REMARKS
1	5RB-2583T-00	MASTER CYLINDER ASSY	1				
2	1JL-W0041-01	.CYLINDER KIT, MASTER	1				
3	3RW-25854-00	.DIAPHRAGM, RESERVOIR	1				
4	3RW-25852-00	.CAP, RESERVOIR	1				
5	98706-04012	.SCREW, FLAT HEAD	2				
6	3RW-25867-00	.BRACKET, MASTER CYLINDER	1				
7	91317-06025	BOLT	2				
8	5SJ-25872-10	HOSE, BRAKE 1	1				
9	4HC-25876-00	HOLDER, BRAKE HOSE 2	1				
10	95807-06020	BOLT, FLANGE	1				
11	4L0-25862-01	BOOT, MASTER CYLINDER	1				
12	90401-10159	BOLT, UNION	2				
13	90201-10118	WASHER, PLATE	4				
14	5CG-2583T-A4	MASTER CYLINDER ASSY	1				
15	5CG-W0041-10	.CYLINDER KIT, MASTER	1				
16	3RW-25854-00	.DIAPHRAGM, RESERVOIR	1				
17	4GY-25852-01	.CAP, RESERVOIR	1				
18	36Y-2589H-00	.SCREW	2				
19	3RW-25867-00	.BRACKET, MASTER CYLINDER	1				
20	91317-06025	BOLT	2				
21	5SJ-2584A-10	BRAKE HOSE ASSY	1				
22	4L0-25862-01	BOOT, MASTER CYLINDER	1				
23	5GM-81677-00	CLAMP 1	1				
24	90464-05188	CLAMP	2				
25	90401-10159	BOLT, UNION	2				
26	90201-10118	WASHER, PLATE	3				
27	5CG-25844-00	WASHER, LOCK	1				

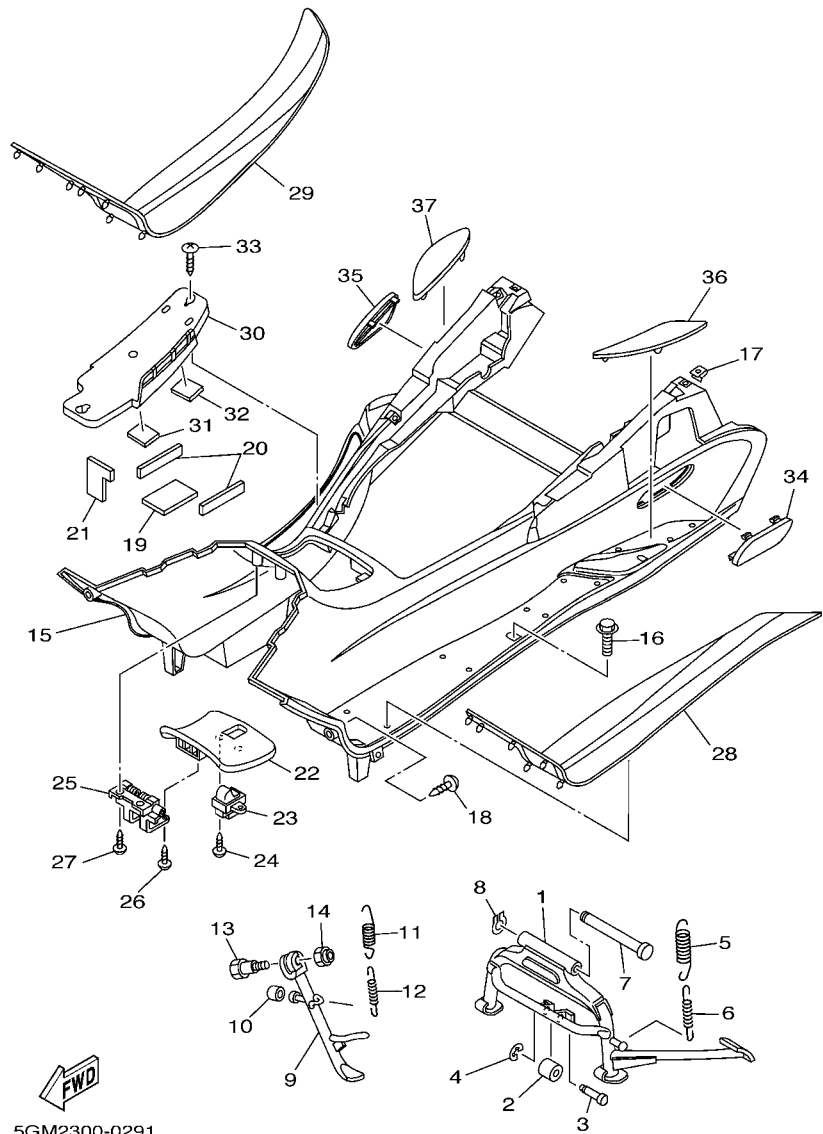


5GM2300-0291

FIG. 29 STAND. FOOTREST

REF. NO.	PART NO.	DESCRIPTION	5S.12				REMARKS
1	4HC-27111-01	STAND, MAIN	1				
2	4HC-27114-00	STOPPER, MAIN STAND	1				
3	4HC-27112-00	SHAFT, MAIN STAND	1				
4	99001-04600	CIRCLIP	1				
5	90506-40175	SPRING, TENSION	1				
6	90506-20158	SPRING, TENSION	1				
7	58K-27112-02	SHAFT, MAIN STAND	1				
8	93430-12008	CIRCLIP	1				
9	5GM-27311-00	STAND, SIDE	1				
10	3VR-27114-00	STOPPER, MAIN STAND	1				
11	90506-26001	SPRING, TENSION	1				
12	90506-18224	SPRING, TENSION	1				
13	90109-10473	BOLT	1				
14	90185-10110	NUT, SELF-LOCKING	1				
15	5GM-27481-01	BOARD, FOOTREST	1				
16	90119-06060	BOLT, WITH WASHER	4				
17	90183-05042	NUT, SPRING	26				
18	97707-50016	SCREW, TAPPING	4				
19	5GM-27414-01	DAMPER, FOOTREST	1				
20	5GM-27424-00	DAMPER, FOOTREST 2	1				
21	5GM-27485-00	SEAL	1				
22	5GM-27453-00	COVER 1	1				
23	5GM-21780-00	LOCK ASSY	1				
24	97707-40512	SCREW, TAPPING	2				
25	5GM-2849E-00	HINGE 4	1				
26	97707-40010	SCREW, TAPPING	2				
27	97707-50016	SCREW, TAPPING	2				

D12



5GM2300-0291

FIG. 29 STAND. FOOTREST

REF. NO.	PART NO.	DESCRIPTION	5S.12				REMARKS
28	5GM-27483-00	MAT 1	1				
29	5GM-27484-00	MAT 2	1				
30	5GM-27463-01	COVER 2	1				
31	5GM-27482-00	MOLD, FOOTREST	1				
32	5GM-27492-00	MOLD, FOOTREST 2	1				
33	97707-50012	SCREW, TAPPING	2				
34	5GM-27475-00	CAP 1	1				
35	5GM-27476-00	CAP 2	1				
36	5GM-27486-00	COVER 1	1				
37	5GM-27487-00	COVER 2	1				

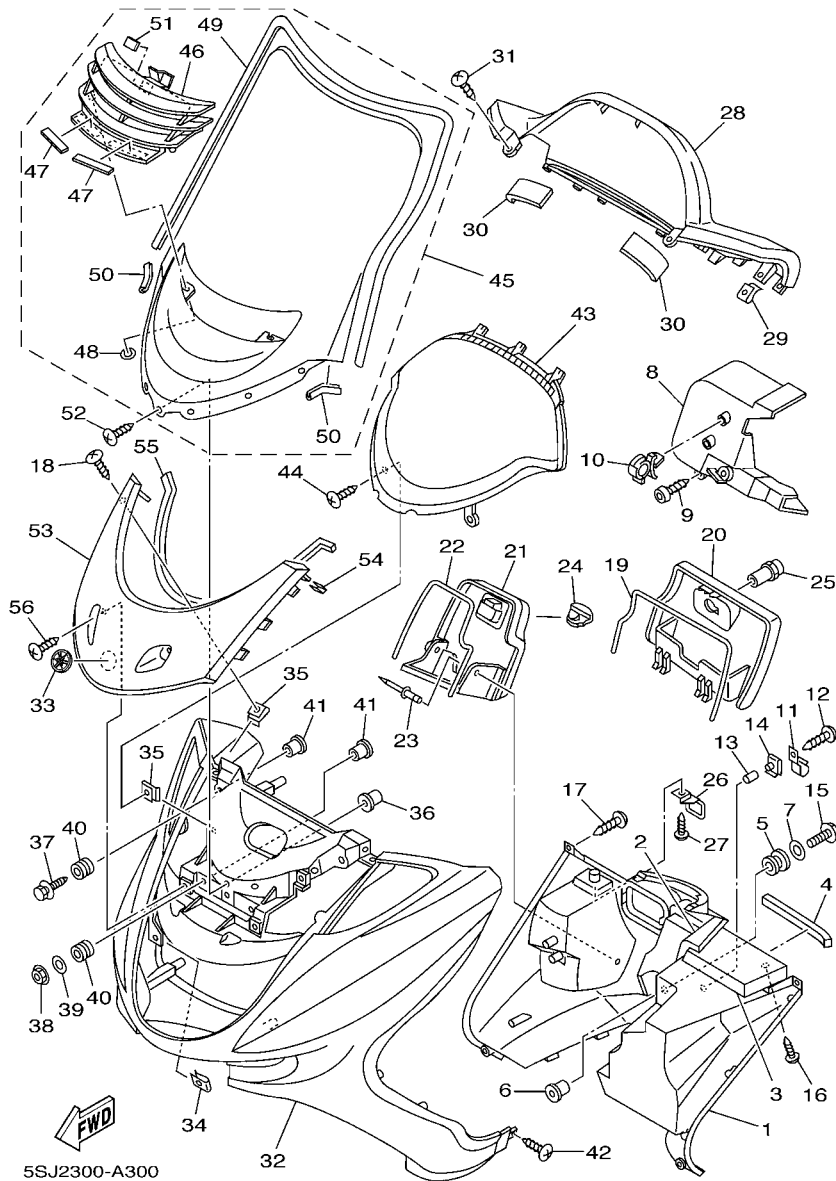


FIG. 30 LEG SHIELD

REF. NO.	PART NO.	DESCRIPTION	5SJ2				REMARKS
1	5SJ-28300-00	LEG SHIELD ASSY	1				
2	5GM-28415-00	DAMPER 1	1				
3	5GM-28416-00	DAMPER 2	1				
4	5GM-28435-00	DAMPER 4	1				
5	90480-13398	GROMMET	1				
6	90387-065J6	COLLAR	1				
7	90201-086J0	WASHER, PLATE	1				
8	5GM-2835U-02	PANEL 1	1				
9	3KJ-24453-00	SCREW	2				
10	90464-18246	CLAMP	1				
11	4HC-21796-01	HINGE	2				
12	97707-40512	SCREW, TAPPING	2				
13	90445-057G5	HOSE (L10)	1				
14	90183-04027	NUT, SPRING	2				
15	90119-06096	BOLT, WITH WASHER	1				
16	90167-05079	SCREW, TAPPING	4				
17	97707-50016	SCREW, TAPPING	4				
18	90167-05079	SCREW, TAPPING	4				
19	5GM-28371-00	DAMPER	1				
20	5GM-2839K-00	LID 1	1				
21	5SJ-2478A-00	LID ASSY	1				
22	5SJ-28372-00	DAMPER	1				
23	90269-08066	RIVET	1				
24	5GM-2837G-00	LOCK 1	1				
25	4BH-21780-11	LOCK ASSY	1				
26	5GM-2837H-00	LOCK 2	1				
27	97707-40512	SCREW, TAPPING	1				

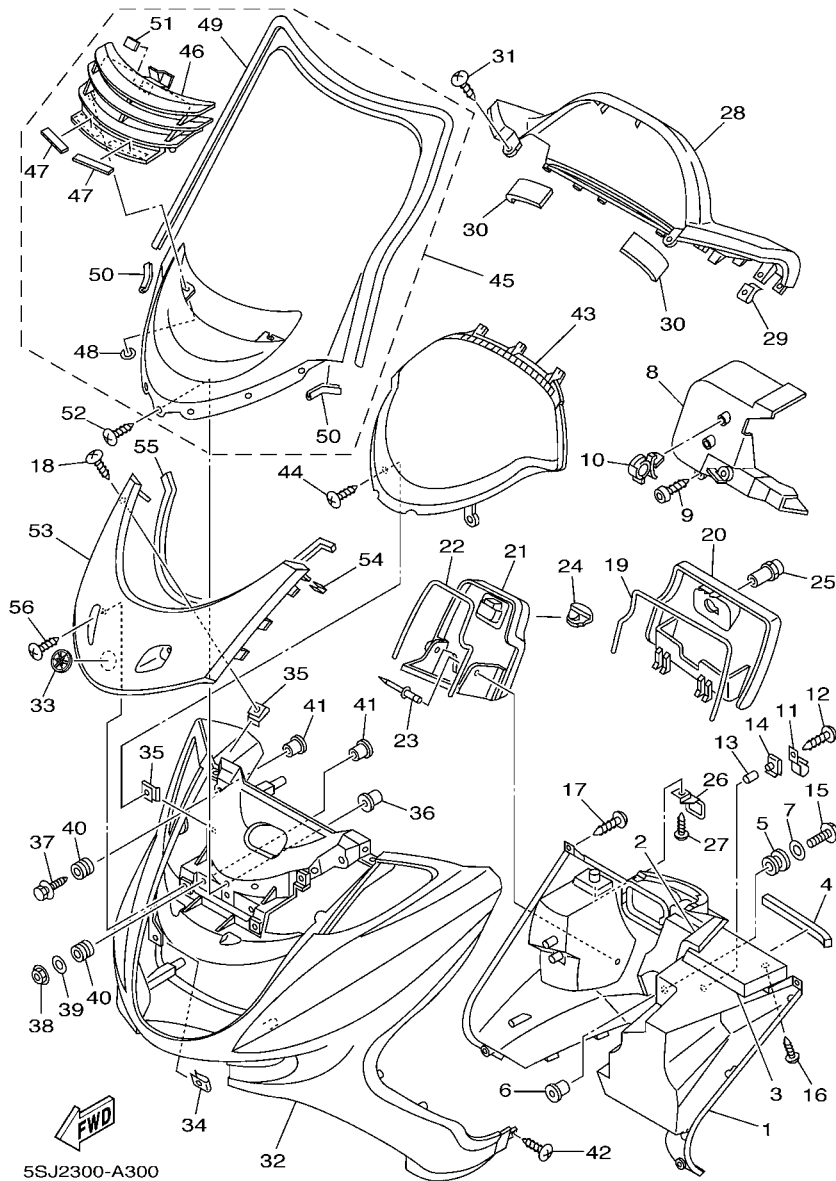


FIG. 30 LEG SHIELD

REF. NO.	PART NO.	DESCRIPTION	5S12				REMARKS
28	5SJ-2836K-00	PANEL, INNER 1	1				
29	90183-05042	NUT, SPRING	4				
30	5GM-2836T-00	DAMPER, LOCATING 1	2				
31	97707-50012	SCREW, TAPPING	2				
32	5GM-28351-01-0L	BODY, COWLING	1				UR MAS
	5GM-28351-01-P7	BODY, COWLING	1				UR PPBM3
	5GM-28351-01-P8	BODY, COWLING	1				UR DRMD
	5GM-28351-01-P5	BODY, COWLING	1				UR VDBMA
33	5GM-2836B-01	TUNING FORK MARK	1				
34	90183-06053	NUT, SPRING	4				
35	90183-05042	NUT, SPRING	6				
36	90179-05523	NUT	7				
37	90119-06163	BOLT, WITH WASHER	2				
38	95704-06500	NUT, FLANGE	2				
39	90201-06057	WASHER, PLATE	2				
40	90480-13398	GROMMET	4				
41	90387-067N5	COLLAR	4				
42	97707-50012	SCREW, TAPPING	2				
43	5GM-2836L-00	PANEL, INNER 2	1				
44	97707-50012	SCREW, TAPPING	2				
45	5GM-28380-11	WINDSCREEN ASSY	1				
46	5GM-2838B-00	.GRILL ASSY	1				
47	5GM-28344-00	.TAPE	2				
48	90183-05004	.NUT, SPRING	2				
49	5GM-28376-00	.TRIM	1				
50	5GM-2834E-00	.DAMPER 1	2				
51	5GM-2834F-00	.DAMPER	1				

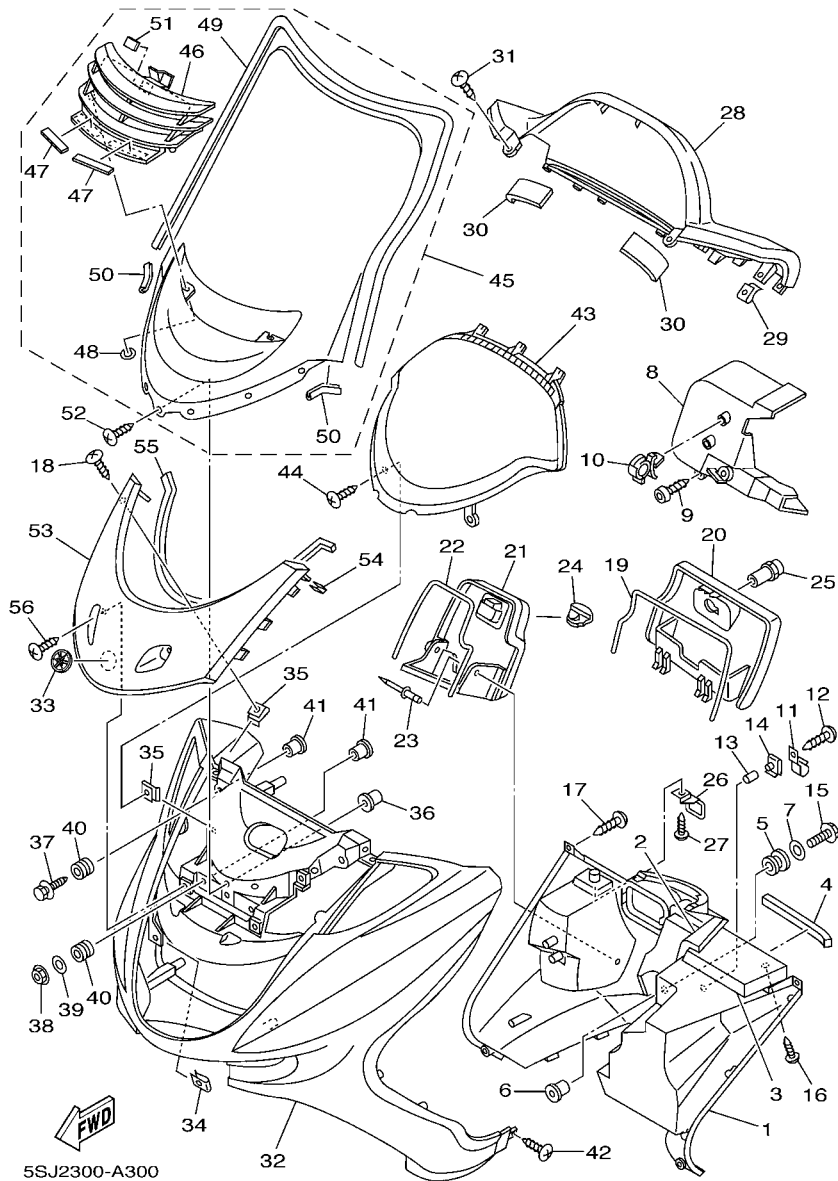
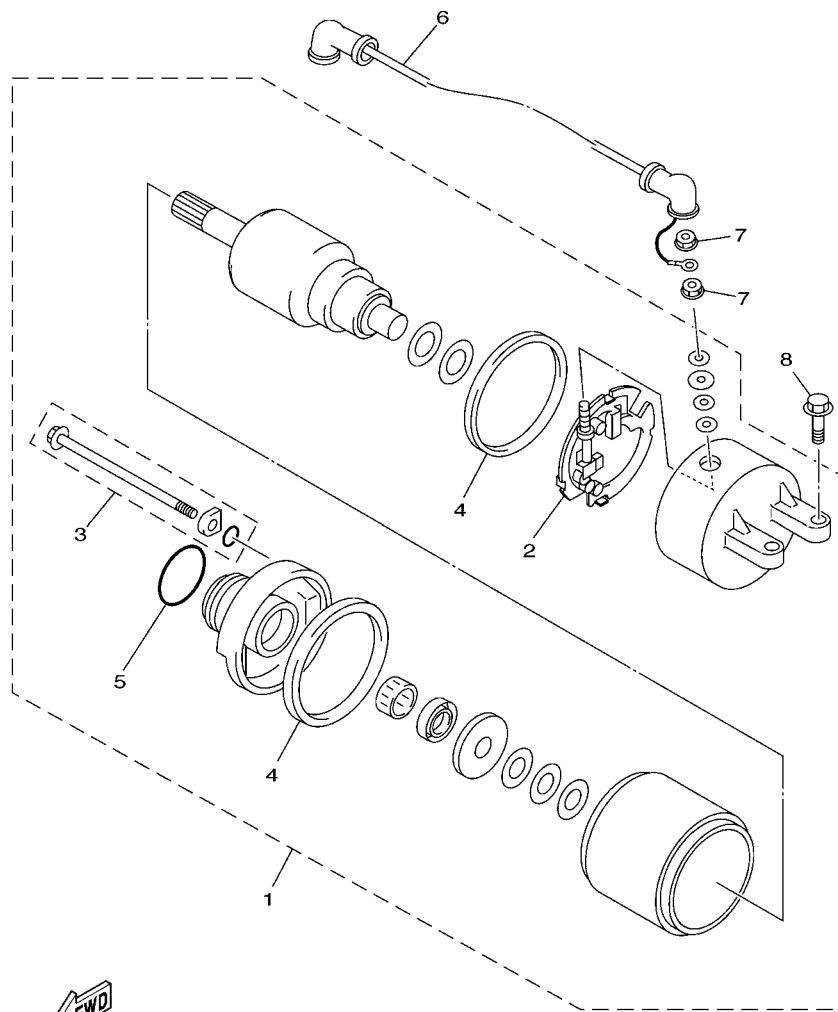


FIG. 30 LEG SHIELD

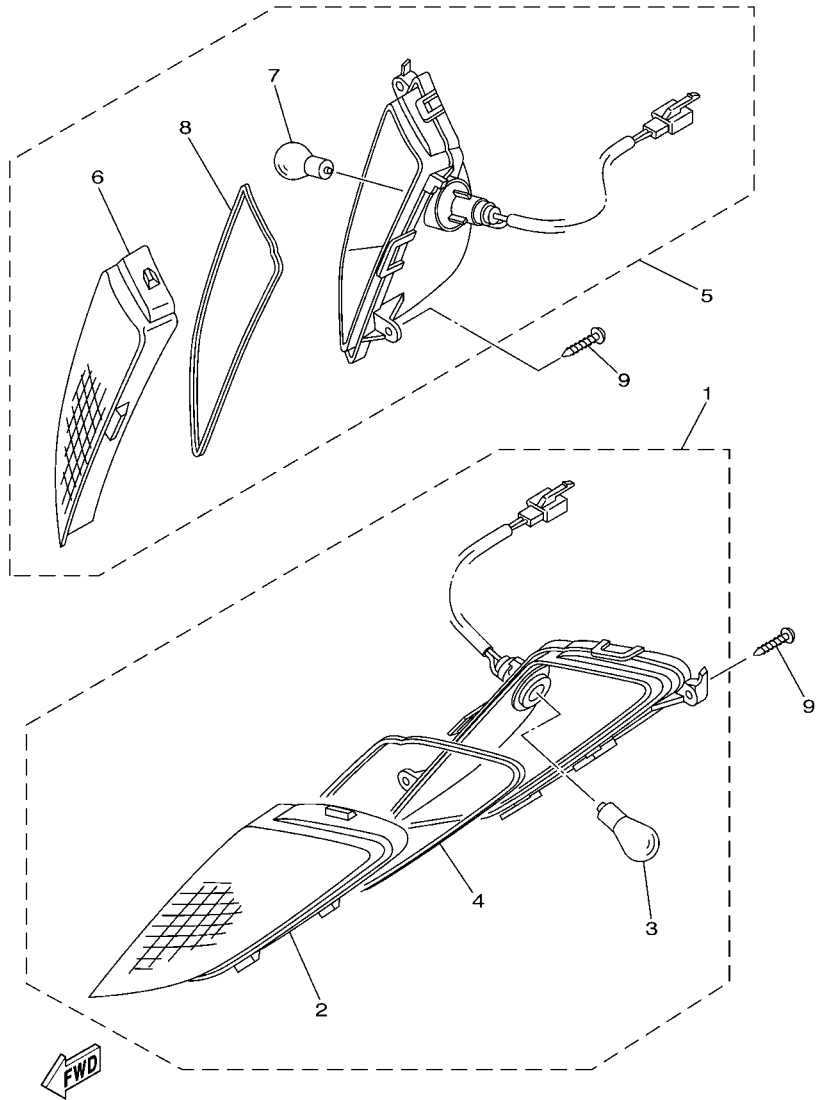
REF. NO.	PART NO.	DESCRIPTION	5S12				REMARKS
52	90150-05024	SCREW, ROUND HEAD	7				
53	5GM-28345-01-0L	MOLE 1	1				UR MAS
	5GM-28345-01-P7	MOLE 1	1				UR PPBM3
	5GM-28345-01-P8	MOLE 1	1				UR DRMD
	5GM-28345-01-P4	MOLE 1	1				UR VDBMA
54	5GM-28379-00	HOOK	2				
55	5GM-28347-00	MOLE 3	1				
56	90167-05079	SCREW, TAPPING	2				

FIG. 32 STARTING MOTOR



REF. NO.	PART NO.	DESCRIPTION	5512				REMARKS
1	4HC-81890-00	MOTOR ASSY	1				
2	3KS-81840-00	.BRUSH HOLDER ASSY	1				
3	3WP-81826-00	.BOLT	2				
4	11H-81844-00	.GASKET	2				
5	1FK-81847-00	.O-RING	1				
6	5GM-81815-00	CORD, STARTER MOTOR	1				
7	4XV-8182A-00	NUT	2				
8	95817-06025	BOLT, FLANGE	2				

 5GM1010-0321

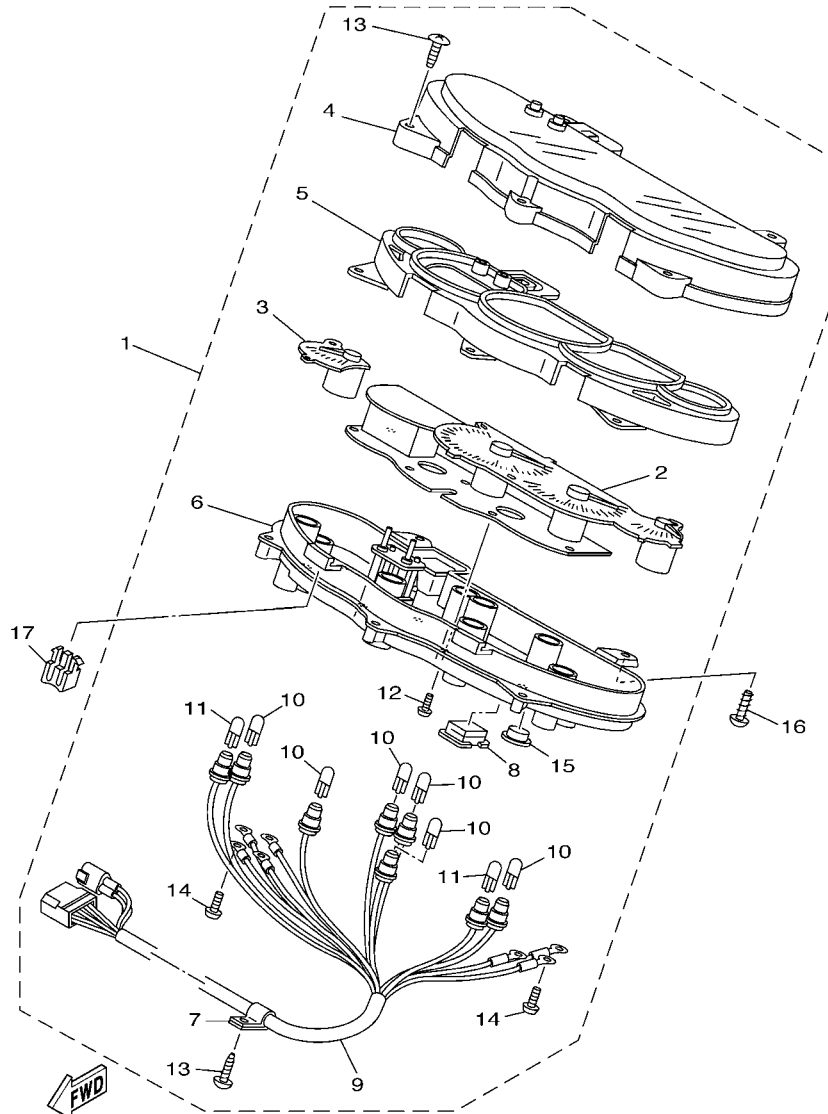


5GM7700-0331

FIG. 33 FLASHER LIGHT

REF. NO.	PART NO.	DESCRIPTION	5S,U2				REMARKS
1	5GM-83310-11	FRONT FLASHER LIGHT ASSY 1	1				
2	5GM-83312-00	.LENS, FLASHER	1				
3	32H-83331-00	.BULB, FLASHER (12V-21W)	1				
4	5GM-83313-00	.GASKET, FLASHER LENS	1				
5	5GM-83320-11	FRONT FLASHER LIGHT ASSY 2	1				
6	5GM-83322-00	.LENS, FLASHER 2	1				
7	32H-83331-00	.BULB, FLASHER (12V-21W)	1				
8	5GM-83313-00	.GASKET, FLASHER LENS	1				
9	97707-50016	SCREW, TAPPING	4				

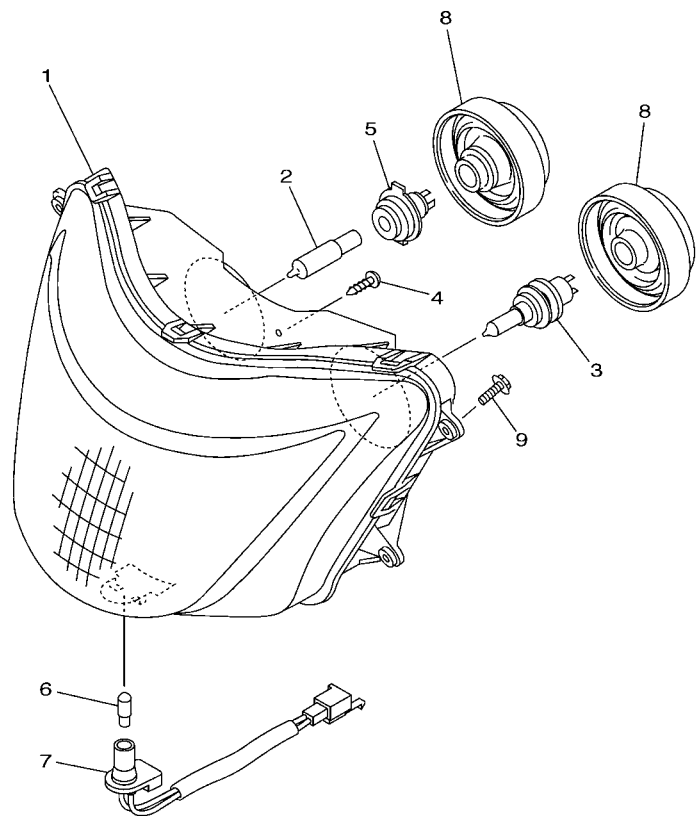
FIG. 34 METER



5SJ2300-A340

REF. NO.	PART NO.	DESCRIPTION	5SJ2				REMARKS
1	5SJ-83500-00	SPEEDOMETER ASSY	1				UR
	5SJ-83500-50	SPEEDOMETER ASSY	1				UR FOR GBR
2	5SJ-83510-00	.SPEEDOMETER ASSY	1				UR
	5SJ-83510-50	.SPEEDOMETER ASSY	1				UR FOR GBR
3	5SJ-8350F-00	.FUEL METER MOVEMENT ASSY	1				
4	5SJ-83511-00	.LENS, SPEEDOMETER	1				
5	5SJ-83612-00	.COVER, METER PANEL	1				
6	5SJ-8353H-00	.CASE, UNDER	1				
7	4HC-83595-00	.CLAMP	1				
8	5EA-8352K-00	.PLUG, BLIND	1				
9	5SJ-83509-00	.SOCKET CORD ASSY	1				
10	1YT-83517-00	.BULB (12V-1.7W T10)	6				
11	4R0-83517-00	.BULB (12V-3.4W T10)	2				
12	97607-30214	.SCREW,WITH WASHER	6				
13	97707-40016	.SCREW, TAPPING	5				
14	5GM-83616-00	.SCREW, TAPPING	7				
15	2GG-8352K-00	.PLUG, BLIND	1				
16	97707-50014	SCREW, TAPPING	2				
17	4HC-2837G-00	LOCK 1	2				

FIG. 35 HEADLIGHT



5SJ2300-A350

REF. NO.	PART NO.	DESCRIPTION	5S.J2				REMARKS
1	5GM-84310-10	HEADLIGHT UNIT ASSY	1				UR
	5GM-84310-20	HEADLIGHT UNIT ASSY	1				UR FOR GBR
2	4SV-84314-00	BULB (12V-55W)	1				(H7)HALOGEN
3	8G9-84314-00	BULB (12V-60/55W)	1				(H4)HALOGEN
4	97702-40912	SCREW, TAPPING	5				
5	4SV-84350-00	SOCKET CORD ASSY 2	1				
6	4SV-84347-00	BULB (12V-5W)	1				
7	4XV-84312-00	SOCKET CORD ASSY 1	1				
8	5GM-84397-00	COVER, SOCKET	2				
9	90119-06052	BOLT, WITH WASHER	4				

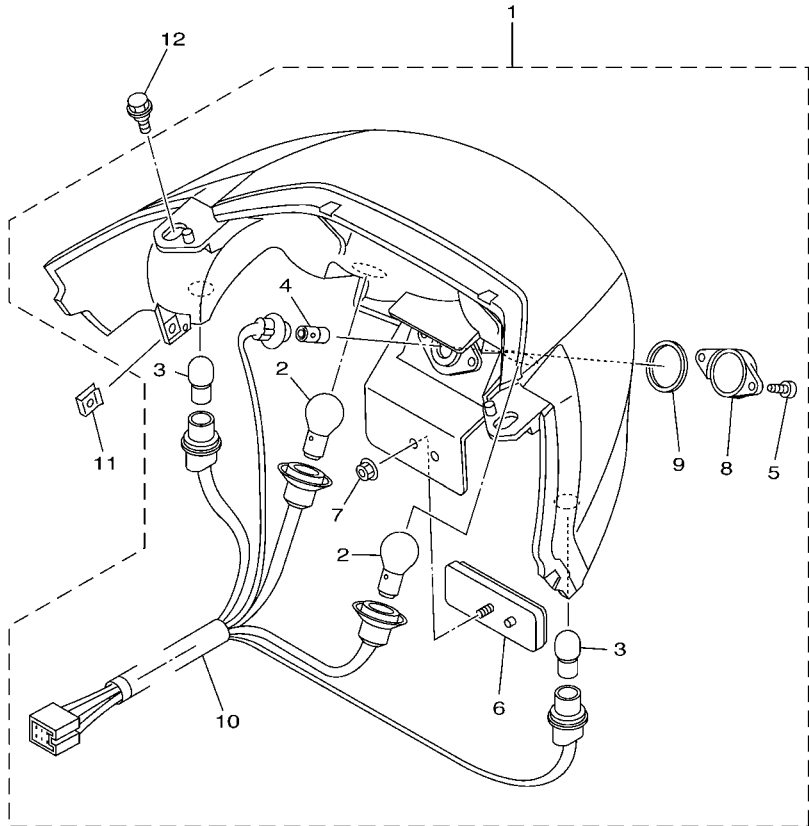
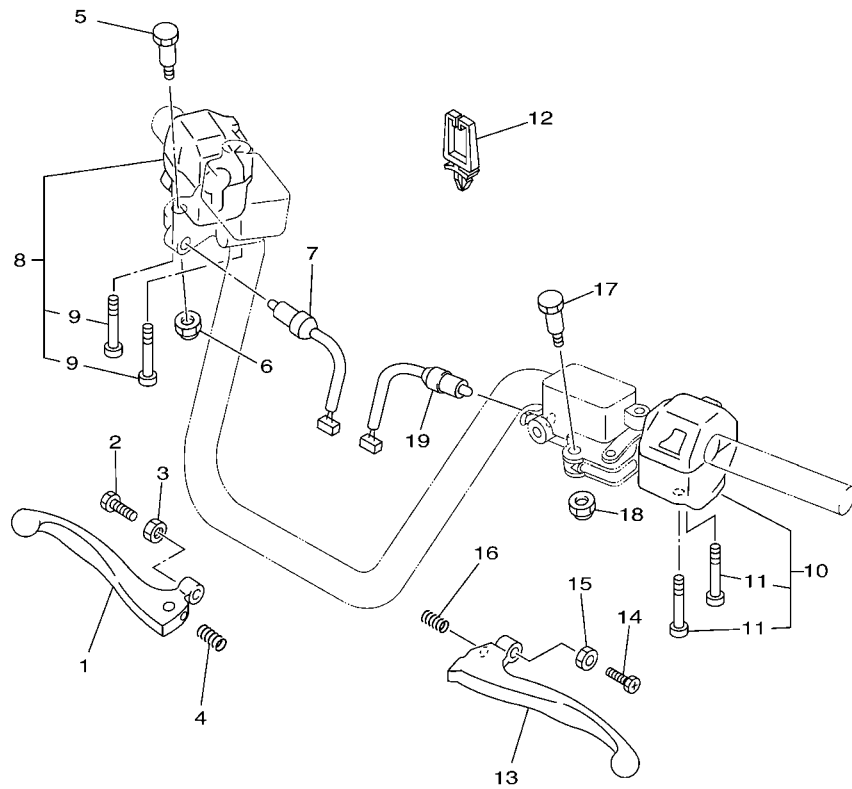


FIG. 36 TAILLIGHT

REF. NO.	PART NO.	DESCRIPTION	5S.J2				REMARKS
1	5SJ-84710-00	TAILLIGHT UNIT ASSY	1				
2	1A2-84714-41	.BULB (12V-21/5W)	2				
3	5GM-83311-00	.BULB (12V-18W)	2				
4	4HC-84744-00	.BULB (12V-5W)	1				
5	97702-40114	.SCREW, TAPPING	2				
6	3Y6-85130-02	.REAR REFLECTOR ASSY	1				
7	95702-05500	.NUT, FLANGE	1				
8	4HC-84743-00	.LENS, LICENCE LIGHT	1				
9	4HC-84545-00	.GASKET, LENS	1				
10	5SJ-84735-00	.CORD ASSY	1				
11	90183-05042	NUT, SPRING	2				
12	90109-063F1	BOLT	2				


5SJ2300-A360



5SJ2300-A370

FIG. 37 HANDLE SWITCH. LEVER

REF. NO.	PART NO.	DESCRIPTION	5S.J2				REMARKS
1	5CG-83922-00	LEVER 2	1				
2	90143-06024	SCREW, HEXAGON	1				
3	90170-06010	NUT	1				
4	90501-10312	SPRING, COMPRESSION	1				
5	90109-06577	BOLT	1				
6	95607-06100	NUT, U	1				
7	4FU-83980-00	FRONT STOP SWITCH ASSY	1				
8	5SJ-83975-00	SWITCH, HANDLE 2	1				
9	98507-05045	.SCREW, PAN HEAD	2				
10	5SJ-83972-10	SWITCH, HANDLE 4	1				
11	98507-05050	.SCREW, PAN HEAD	2				
12	90464-05141	CLAMP	1				
13	5CG-83912-10	LEVER 1	1				
14	90143-06024	SCREW, HEXAGON	1				
15	90170-06010	NUT	1				
16	90501-10312	SPRING, COMPRESSION	1				
17	90109-06577	BOLT	1				
18	95607-06100	NUT, U	1				
19	4FU-83980-00	FRONT STOP SWITCH ASSY	1				

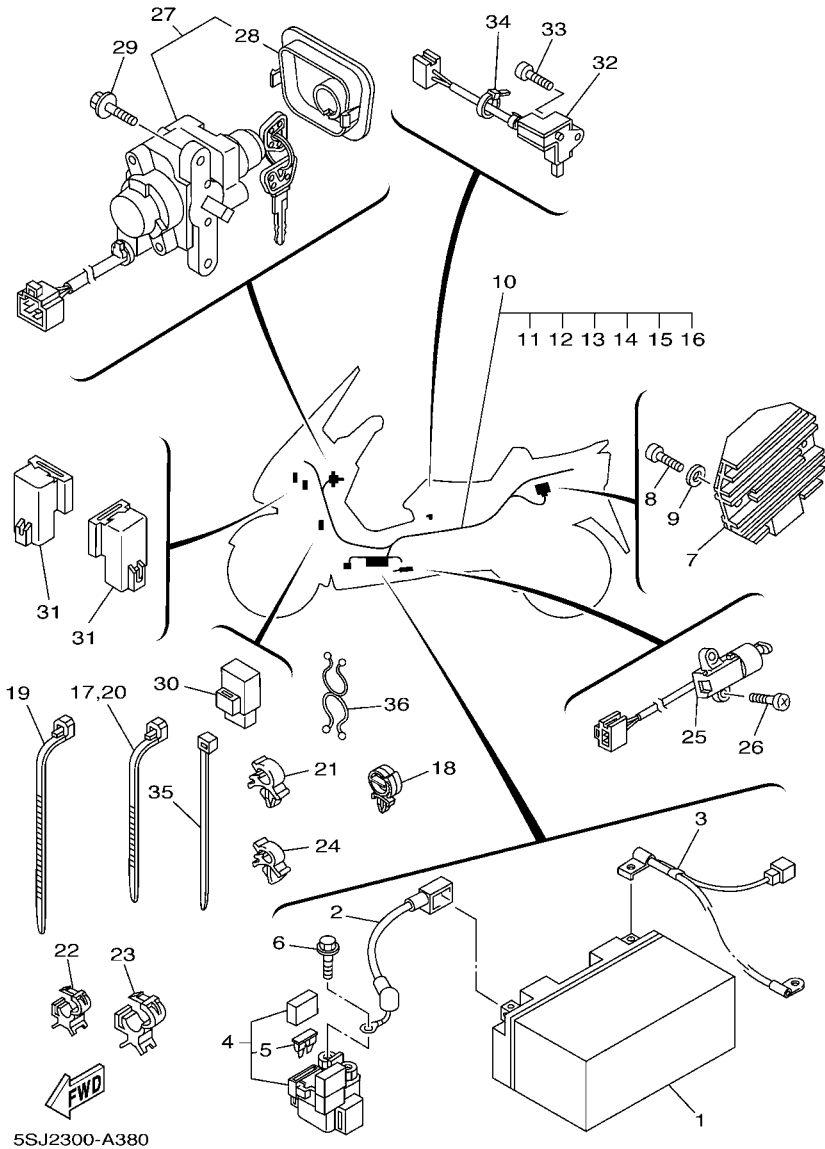


FIG. 38 ELECTRICAL 1

REF. NO.	PART NO.	DESCRIPTION	5S12				REMARKS
1	4UC-82100-01	BATTERY (GS GT7B-4)	1				
2	5GM-82115-00	WIRE, PLUS LEAD	1				
3	5GM-82116-00	WIRE, MINUS LEAD	1				
4	4DN-81940-00	STARTER RELAY ASSY	1				
5	1AE-82151-00	.FUSE (30A-BL)	2				
6	95027-06008	BOLT, FLANGE	2				
7	4XY-81960-00	RECTIFIER & REGULATOR ASSY	1				
8	98507-06025	SCREW, PAN HEAD	2				
9	92907-06600	WASHER, PLATE	2				
10	5SJ-82590-10	WIRE HARNESS ASSY	1				
11	3WP-81980-00	.DIODE ASSY	1				
12	4WA-81980-00	.DIODE ASSY	1				
13	5JJ-82151-40	.FUSE (4A-BL)	2				
14	5JJ-82151-10	.FUSE (15A-BL)	3				
15	5JJ-82151-00	.FUSE (7.5A-BL)	2				
16	5JJ-82151-30	.FUSE (10A-BL)	2				
17	90464-13073	CLAMP	1				
18	90464-20181	CLAMP	1				
19	90464-15195	CLAMP	1				
20	90464-13073	CLAMP	3				
21	90464-11003	CLAMP	5				
22	90464-10190	CLAMP	2				
23	90464-15192	CLAMP	4				
24	90464-07001	CLAMP	3				
25	5RT-82566-50	SWITCH, SIDE STAND	1				
26	90157-05079	SCREW, PAN HEAD	2				
27	5SJ-82501-10	MAIN SWITCH STEERING LOCK	1				

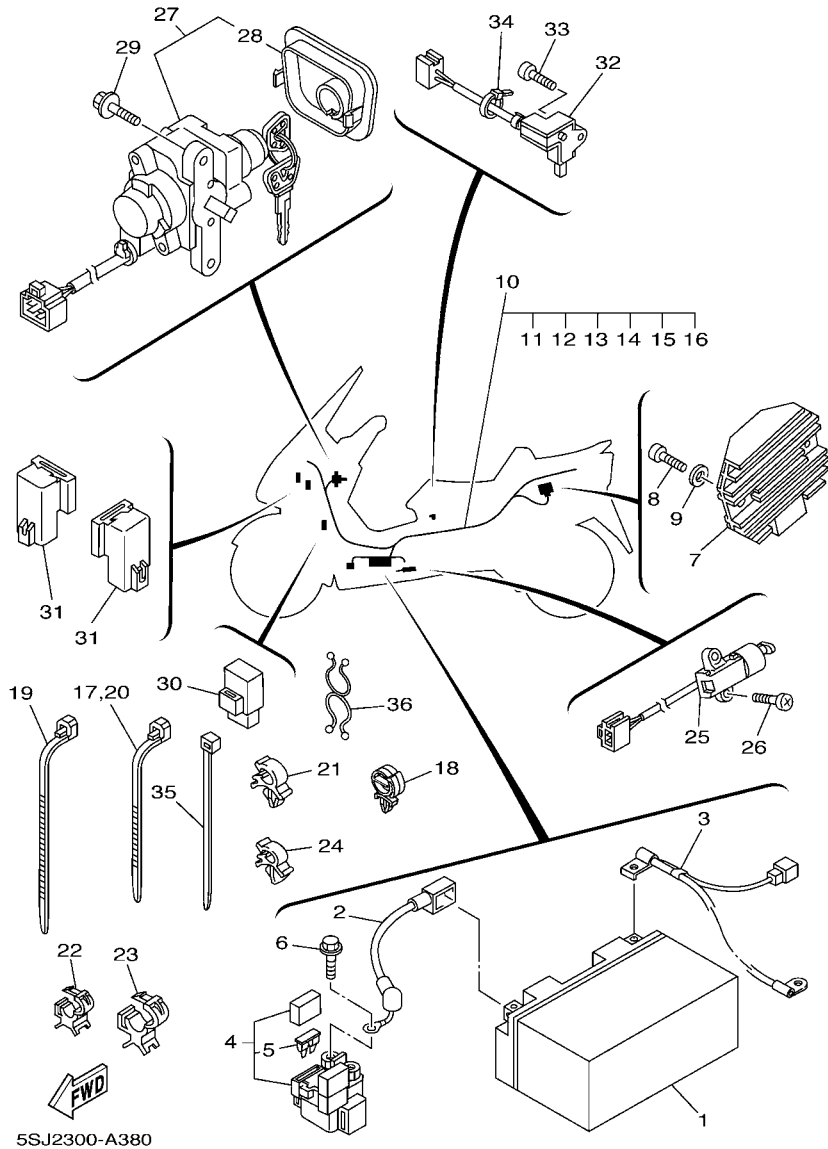


FIG. 38 ELECTRICAL 1

REF. NO.	PART NO.	DESCRIPTION	5SJ2				REMARKS
28	5SJ-82552-10	.CAP. SWITCH	1				
29	90109-066A7	BOLT	2				
30	4HC-81950-00	RELAY ASSY	1				
31	29U-81950-93	RELAY ASSY	2				
32	5GM-81860-00	SWITCH ASSY	1				
33	98907-03008	SCREW, BIND	1				
34	5Y9-12491-00	CLAMP 1	1				
35	5Y9-12491-00	CLAMP 1	2				
36	90464-14134	CLAMP	1				

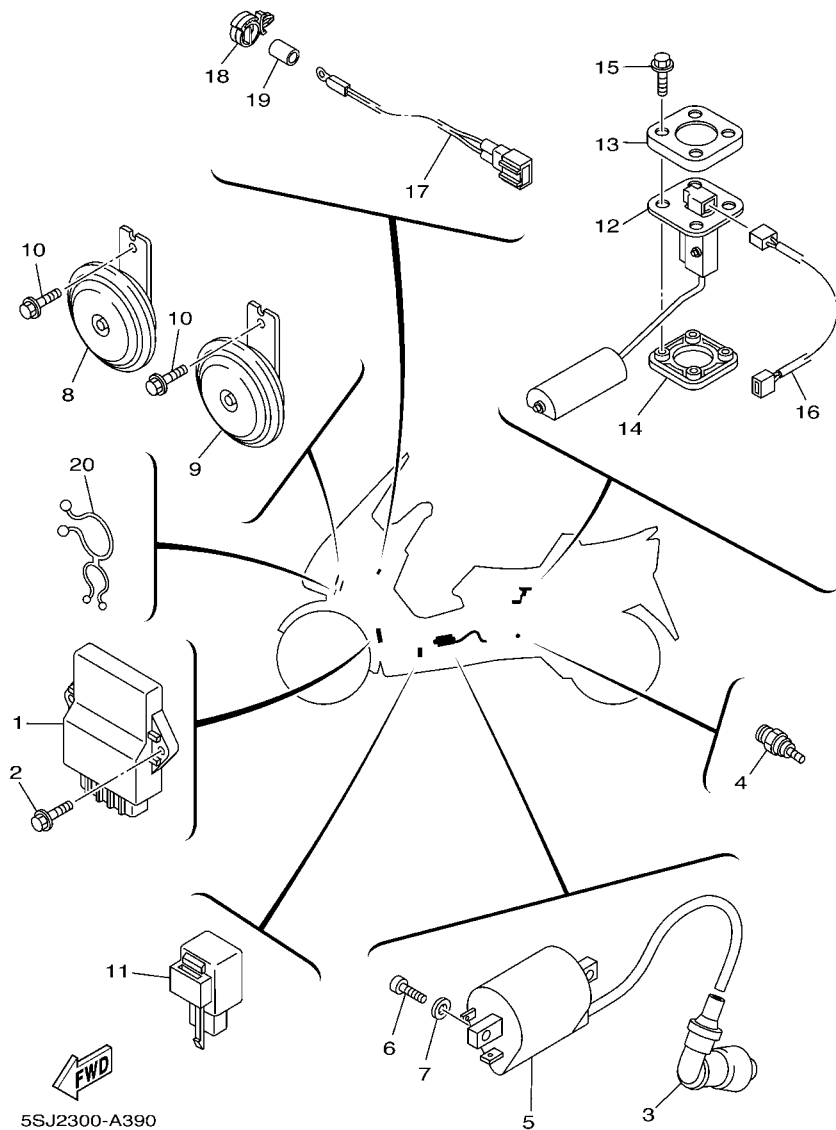


FIG. 39 ELECTRICAL 2

REF. NO.	PART NO.	DESCRIPTION	5SJ2				REMARKS
1	5SJ-82305-10	IGNITOR UNIT ASSY	1				
2	95027-06016	BOLT, FLANGE	2				
3	4BP-82370-00	PLUG CAP ASSY	1				
4	46X-83591-00	THERMO UNIT	1				
5	4HC-82310-00	IGNITION COIL ASSY	1				
6	98507-05016	SCREW, PAN HEAD	2				
7	92907-05600	WASHER, PLATE	2				
8	3TB-83371-01	HORN	1				
9	5GM-83371-10	HORN	1				
10	95807-06010	BOLT, FLANGE	2				
11	3GM-83350-01	FLASHER RELAY ASSY	1				
12	5GM-85752-00	SENDER UNIT ASSY, FUEL METER	1				
13	2JG-85757-00	RETAINER	1				
14	4US-85753-00	GASKET, SENDER UNIT	1				
15	90119-05071	BOLT, WITH WASHER	4				
16	5GM-82509-00	WIRE, SUB LEAD	1				
17	JT2-85700-00	THERMISTOR ASSY	1				
18	90464-18246	CLAMP	1				
19	5SJ-83535-00	TUBE	1				
20	90464-25098	CLAMP	1				

NUMERICAL INDEX

PART NO.	GRID NO.	PART NO.	GRID NO.	PART NO.	GRID NO.	PART NO.	GRID NO.	PART NO.	GRID NO.	PART NO.	GRID NO.
5GM-11101-00	B - 2	4HC-12446-00	B - 6	5H0-14397-00	B - 11	4HC-15351-00	B - 9	4HC-21480-00	C - 9	3J2-23114-00	C - 14
4GA-1111F-00	B - 5	5GM-12450-01	B - 6	4KL-14404-00	B - 11	2T4-15363-00	B - 15	4HC-21511-01-0L	C - 10	4HC-23125-20	C - 14
4G0-11133-11	B - 2	4HC-12459-00	B - 6	4HC-14411-00	B - 10	4HC-15363-00	C - 3	4HC-21511-01-PE	C - 10	4HC-23126-10	C - 14
4KB-11145-00	B - 5	5GM-12461-10	B - 7	5GM-14412-01	B - 10	4HC-15378-00	B - 15	4HC-21511-01-PG	C - 10	4HC-23136-11	C - 14
4HC-11160-00	B - 2	4JH-12462-00	B - 7	5GM-1441A-00	B - 10	1UF-15379-00	C - 9	4HC-21511-01-PH	C - 10	5GM-23141-00	C - 14
4HC-11166-00	B - 2	5GM-12476-00	B - 7	4HC-14429-00	B - 11	5GM-15407-00	C - 3	5GM-21552-00	C - 10	2UJ-23144-00	C - 14
4HC-11181-01	B - 2	5GM-12481-00	B - 7	5GM-14437-00	B - 10	5GM-15411-00	C - 3	5GM-21629-00	D - 5	2UJ-23145-00	C - 14
3GC-11186-00	B - 2	5GM-12482-00	B - 7	4HC-14451-00	B - 10	5GM-15417-00	C - 3	5A8-21639-00	D - 5	22W-23146-L0	C - 14
3GC-11187-00	B - 2	5GM-12483-00	B - 7	4HC-14452-00	B - 10	5GM-15421-00	B - 15	5GM-21711-01-0L	C - 11	3DM-23149-10	C - 14
4HC-11311-00	B - 2	5GM-12484-00	B - 7	4HC-14453-01	B - 10	5GM-15431-00	C - 3	5GM-21711-01-P5	C - 11	22W-23153-L0	C - 14
4HC-11351-00	B - 2	5GM-12485-00	B - 7	17W-14462-00	C - 3	5GM-15451-00	C - 3	5GM-21711-01-P7	C - 11	509-23158-L0	C - 14
5GM-11400-10	B - 3	5Y9-12491-00	E - 11	4HC-14472-00	B - 10	4HC-15453-00	C - 3	5GM-21711-01-P8	C - 11	5GM-23170-00	C - 14
4HC-11603-00	B - 3	4HC-12576-00	B - 7	4KL-14536-00	B - 11	4HC-15461-00	B - 15	5GM-2171L-00-0L	C - 11	4HC-23173-20	C - 14
4HC-11605-00	B - 3	4HC-12577-00	B - 7	5GM-14565-00	B - 12	5GM-15471-00	C - 3	5GM-2171L-00-P5	C - 11	278-23181-50	C - 14
4HC-11607-00	B - 3	4HC-12591-00	B - 7	4HC-14592-00	B - 11	4HC-15472-00	C - 3	5GM-2171L-00-P7	C - 11	3G2-23183-00	C - 14
4HC-11631-01	B - 3	4HC-13300-00	B - 9	5GM-14611-10	B - 13	3KJ-15481-00	C - 3	5GM-2171M-00-P8	C - 11	4HC-23184-10	C - 14
4JH-11633-00	B - 3	4HC-13325-00	B - 9	3MT-14613-00	B - 13	5GM-15491-00	C - 3	5GM-2171M-00-0L	C - 11	5RB-23317-00	C - 15
4HC-11636-01	B - 3	51Y-13411-00	B - 9	4HC-14628-00	B - 13	4HC-15492-00	B - 15	5GM-2171M-00-P5	C - 12	5GM-23340-01	C - 14
4HC-11638-01	B - 3	4HC-13475-00	B - 9	5RB-14711-00	B - 13	5GM-15499-00	C - 3	5GM-2171M-00-P7	C - 11	22F-23411-01	C - 14
5GM-12111-00	B - 4	5GM-13542-00	B - 14	4BH-14714-00	B - 13	4HC-15512-00	C - 5	5GM-2171M-00-P8	C - 12	22F-23412-01	C - 14
4HC-12113-00	B - 4	4HC-13586-11	B - 10	5SJ-14718-00	B - 13	4HC-15517-00	C - 5	5GM-2171N-00-0L	C - 12	3VP-23416-00	C - 15
4HC-12114-00	B - 4	4HC-13595-00	B - 10	5GM-14728-00	B - 13	2HT-15521-00	C - 5	5GM-2171N-00-P5	C - 12	3YF-23418-00	C - 15
4G0-12116-01	B - 4	2GV-13907-00	D - 2	5GM-14738-00	B - 13	4HC-15590-00	C - 5	5GM-2171N-00-P7	C - 12	22F-2341E-00	C - 14
4G0-12117-00	B - 4	4HC-14103-00	B - 11	5RB-14748-00	B - 13	5GM-16111-00	C - 8	5GM-2171N-00-P8	C - 12	4H7-23441-00-98	C - 15
4G0-12118-00	B - 4	5GM-14105-00	B - 11	5RB-14758-00	B - 13	5GM-16151-00	C - 8	5GM-21721-01-0L	C - 11	5SJ-23442-00	C - 15
5H0-12119-00	B - 4	5GM-1410A-10	B - 11	4BD-14766-00	B - 13	5GM-16611-00	C - 6	5GM-21721-01-P5	C - 11	164-23462-00	C - 14
5H0-12121-01	B - 4	4KL-14115-00	B - 11	5RB-14766-00	B - 13	5GM-16620-00	C - 6	5GM-21721-01-P7	C - 11	341-23469-00	D - 5
5H0-12146-00	B - 4	389-14147-00	B - 11	5SJ-14799-00	B - 13	5KD-16626-10	C - 6	5GM-21721-01-P8	C - 11	5GM-24110-11	D - 2
36X-12151-00	B - 4	4HC-14196-00	B - 12	5GM-14803-00	B - 14	5GM-17211-00	C - 8	5GM-21731-00	C - 12	5GM-24145-00	D - 2
3Y1-12156-00	B - 4	4HC-14197-00	B - 12	5GM-14806-00	B - 14	5GM-17411-00	C - 8	5GM-2173B-00	C - 12	5GM-24145-10	D - 2
4HC-12157-00	B - 5	5GM-14197-00	B - 12	5GM-14815-00	B - 13	5GM-17421-00	C - 8	5GM-21778-00	C - 11	5GM-2414A-00	D - 2
2NX-12159-00	B - 4	5GM-14243-00	B - 12	5GM-1482K-00	B - 13	4HC-17611-00	C - 6	5GM-21779-00	C - 11	5GM-2414G-00	D - 2
4HC-12170-00	B - 5	4JP-14243-01	B - 11	5GM-14871-01	B - 13	5GM-17620-00	C - 6	5GM-2177F-00	D - 4	5GM-2414H-00	D - 2
4HC-12176-00	B - 5	4KL-14272-01	B - 11	5GM-14881-00	B - 13	4HC-17623-00	C - 6	5GM-21780-00	D - 12	22F-24182-00	D - 4
2UJ-12210-01	B - 5	4HC-14286-00	B - 12	5GM-14882-00	B - 14	4CW-17632-01	C - 6	4BH-21780-11	D - 14	5GM-24191-00	D - 2
4RF-12213-00	B - 5	5GM-14294-00	B - 10	5GM-14883-00	B - 14	5CG-17639-00	C - 6	4HC-21796-01	D - 14	5GM-24311-00	D - 2
4HC-12231-00	B - 5	5GM-14301-11	B - 11	4HC-1490A-00	B - 11	5CG-17641-00	C - 6	1AA-21815-00	C - 12	5GM-24312-00	D - 2
4HC-12241-00	B - 5	4HC-14340-01	B - 11	4HC-1490H-08	B - 11	5GM-17644-00	C - 6	5GM-21816-00	C - 12	1AE-24366-00	D - 2
5GM-12405-00	B - 7	4UC-14341-00	B - 12	5GM-1490J-00	B - 11	5GM-17649-00	C - 2	5GM-21817-00	C - 12	3KJ-24453-00	D - 14
4HC-12411-00	B - 7	4UC-14341-10	B - 12	4HC-14958-00	B - 11	4HC-17653-00	C - 6	5GM-21871-00	C - 12	5GM-24492-00	D - 3
4HC-12413-00	B - 7	38V-14342-71	B - 12	5GM-15100-00	B - 15	4HC-17654-00	C - 6	1AA-21874-00	C - 12	214-24535-00	B - 11
5GM-12420-01	B - 6	50M-14343-64	B - 12	36Y-15189-00	C - 4	5GM-17660-00	C - 6	5GM-22100-00	C - 13	1FK-24560-10	D - 2
4HC-12421-00	B - 6	50M-14355-00	B - 12	5GM-15199-00	B - 15	4CW-17664-00	C - 6	5GM-22210-00	C - 13	3KJ-24602-03	D - 2
4HC-12422-01	B - 6	4KL-14384-00	B - 11	5GM-15316-00	C - 3	4HC-17670-10	C - 6	164-22216-00	B - 15	5GM-24667-00	D - 2
5GM-12426-00	B - 6	25N-14385-00	B - 11	5GM-15326-00	C - 3	5GM-21110-02	C - 9		C - 13	5GM-2467E-00	D - 4
4HC-12428-10	B - 6	4KL-14386-00	B - 11	5GM-15335-00	C - 3	5CG-21279-00	C - 10	5GM-23100-01	C - 14	5GM-24704-01	D - 4
11H-12438-10	B - 6	4HC-14390-00	B - 11	5GM-15337-00	C - 3	5GM-21417-00	C - 9	5GM-23110-00	C - 14	5GM-2470E-02	D - 4
5GM-12443-00	B - 7	4KL-14397-00	B - 11	5GM-15338-00	C - 3	5CG-21420-01	C - 9	5RB-23111-00	C - 14	5SJ-2470F-20	D - 4

NUMERICAL INDEX

PART NO.	GRID NO.	PART NO.	GRID NO.	PART NO.	GRID NO.	PART NO.	GRID NO.	PART NO.	GRID NO.	PART NO.	GRID NO.
5GM-2470F-B0	D - 4	5SJ-25887-00	C - 15	5SJ-28300-00	D - 14	4HC-81950-00	E - 11	5SJ-83612-00	E - 6	90109-063F1	D - 4
5SJ-24710-20	D - 4	36Y-2589H-00	D - 11	5GM-28344-00	D - 15	29U-81950-93	E - 11	5GM-83616-00	E - 6		E - 8
5GM-24723-00	D - 4	5GM-25914-00	D - 9	5GM-28345-01-0L	E - 2	4XY-81960-00	E - 10	5RB-83755-01	D - 6	90109-06577	E - 9
5GM-24738-00	D - 4	5JW-25914-00	D - 7	5GM-28345-01-P4	E - 2	3WP-81980-00	E - 10	5CG-83912-10	E - 9	90109-066A7	E - 11
5GM-24747-00	D - 4	4BP-25919-00	D - 7	5GM-28345-01-P7	E - 2	4WA-81980-00	E - 10	5CG-83922-00	E - 9	90109-067E6	B - 10
5GM-24750-A0	D - 4	4TT-25919-00	D - 9	5GM-28345-01-P8	E - 2	4UC-82100-01	E - 10	5SJ-83972-10	E - 9	90109-082F5	B - 15
5GM-24773-00-0L	D - 4	3YX-25929-00	D - 7	5GM-28347-00	E - 2	5GM-82115-00	E - 10	5SJ-83975-00	E - 9	90109-083G4	D - 7
5GM-24773-00-P5	D - 5	4TT-25937-00	D - 7	5GM-2834E-00	D - 15	5GM-82116-00	E - 10	4FU-83980-00	E - 9		D - 9
5GM-24773-00-P7	D - 5		D - 9	5GM-2834F-00	D - 15	1AE-82151-00	E - 10	5GM-84310-10	E - 7	90109-084F7	D - 5
5GM-24773-00-P8	D - 5	5SJ-26110-00	D - 10	5GM-28351-01-0L	D - 15	5JJ-82151-00	E - 10	5GM-84310-20	E - 7	90109-10473	D - 12
5GM-24774-00	D - 4	5SJ-26143-00	D - 10	5GM-28351-01-P5	D - 15	5JJ-82151-10	E - 10	4XV-84312-00	E - 7	90110-06202	D - 4
5GM-24780-01	D - 5	5SJ-26144-00	D - 10	5GM-28351-01-P7	D - 15	5JJ-82151-30	E - 10	4SV-84314-00	E - 7	90111-06015	B - 13
5SJ-2478A-00	D - 14	4YR-26240-01	D - 10	5GM-28351-01-P8	D - 15	5JJ-82151-40	E - 10	8G9-84314-00	E - 7	90111-06020	B - 13
5GM-2478D-01	D - 5	4YR-26241-01	D - 10	5SJ-28356-10	C - 9	5SJ-82305-10	E - 12	4HC-84347-00	D - 4	90116-08591	B - 15
5GM-2478G-01	D - 5	33M-26246-00	D - 10	5GM-2835U-02	D - 14	4HC-82310-00	E - 12	4SV-84347-00	E - 7	90119-05071	E - 12
5RB-25160-00-35	D - 6	5CG-26280-01	D - 10	5GM-2836B-01	D - 15	4BP-82370-00	E - 12	4SV-84350-00	E - 7	90119-06044	C - 10
4HC-25181-00	D - 6	5CG-26290-01	D - 10	5LV-2836B-01	D - 10	5SJ-82501-10	E - 10	5GM-84397-00	E - 7	90119-06052	E - 7
5GM-25319-00	D - 8	5SJ-26311-00	D - 10	5SJ-2836K-00	D - 15	5GM-82509-00	E - 12	4HC-84545-00	E - 8	90119-06060	C - 10
5GM-25321-00-35	D - 8	5SJ-26312-00	D - 10	5GM-2836L-00	D - 15	5SJ-82552-10	E - 11	5SJ-84710-00	E - 8		D - 12
5GM-25328-00	D - 8	4HC-2637G-00	B - 6	5GM-2836T-00	D - 15	5GH-82560-00	B - 8	1A2-84714-41	E - 8	90119-06096	D - 14
5GM-25338-00-35	D - 8	5H0-26393-00	D - 10	5GM-28371-00	D - 14	5GM-82560-00	B - 8	5SJ-84735-00	E - 8	90119-06118	B - 8
5RB-25383-00	D - 6	4HC-27111-01	D - 12	5SJ-28372-00	D - 14	5RT-82566-50	E - 10	4HC-84743-00	E - 8	90119-06163	D - 15
5MT-25398-00	D - 6	4HC-27112-00	D - 12	5GM-28376-00	D - 15	5SJ-82590-10	E - 10	4HC-84744-00	E - 8	90143-06024	E - 9
	D - 8	58K-27112-02	D - 12	5GM-28379-00	C - 11	5GM-83310-11	E - 5	4HC-84770-00	D - 4	90149-06184	C - 10
5MT-25398-10	D - 6	3VR-27114-00	D - 12		E - 2	5GM-83311-00	E - 8	3Y6-85130-02	E - 8	90150-05024	E - 2
	D - 8	4HC-27114-00	D - 12	4HC-2837G-00	E - 6	5GM-83312-00	E - 5	JT2-85700-00	E - 12	90153-06029	B - 2
5MT-25398-20	D - 6	5GM-27311-00	D - 12	5GM-2837G-00	D - 14	5GM-83313-00	E - 5	5GM-85752-00	E - 12	90154-06014	C - 10
	D - 8	5GM-27414-01	D - 12	5GM-2837H-00	D - 14	5GM-83320-11	E - 5	4US-85753-00	E - 12	90157-04088	C - 6
5GM-25683-00	D - 8	5GM-27415-00	C - 9	5GM-28380-11	D - 15	5GM-83322-00	E - 5	2JG-85757-00	E - 12	90157-05079	E - 10
5SJ-2580U-00	D - 7	5GM-27424-00	C - 9	5GM-2838B-00	D - 15	32H-83331-00	E - 5	5GM-85885-00	B - 12	90159-05028	D - 10
5GM-2580W-01	D - 9		D - 12	5GM-2839K-00	D - 14	3GM-83350-01	E - 12	1JL-W0041-01	D - 11	90167-05003	C - 3
5EB-25828-00	D - 9	5GM-27445-00	C - 9	5GM-2839M-00	D - 4	3TB-83371-01	E - 12	5CG-W0041-10	D - 11	90167-05079	C - 11
5GM-25828-00	D - 9	5GM-27452-00	C - 9	5GM-28415-00	D - 14	5GM-83371-10	E - 12	4HM-W0045-00	D - 7		D - 10
4HC-2582T-00	D - 7	5GM-27453-00	D - 12	5GM-28416-00	D - 14	5SJ-83500-00	E - 6	5GM-W0046-00	D - 9		D - 14
5GM-2582W-00	D - 9	5GM-27462-00	C - 9	5GM-28435-00	D - 14	5SJ-83500-50	E - 6	4FU-W0047-00	D - 7	90167-05080	D - 10
5RB-2583T-00	D - 11	5GM-27463-01	D - 13	5GM-2849E-00	D - 12	5SJ-83509-00	E - 6	4TT-W0047-00	D - 9	90170-06010	E - 9
5CG-2583T-A4	D - 11	5GM-27475-00	D - 13	5GM-81410-00	E - 3	5SJ-8350F-00	E - 6	51L-W0048-00	D - 7	90170-06128	B - 4
5CG-25844-00	D - 11	5GM-27476-00	D - 13	5GM-81450-00	E - 3	5SJ-83510-00	E - 6	5GM-W0048-00	D - 9	90170-16425	B - 3
5SJ-2584A-10	D - 11	5GM-27481-01	D - 12	5GM-81677-00	D - 11	5SJ-83510-50	E - 6	5GM-W0057-00	D - 9	90170-20386	C - 15
3RW-25852-00	D - 11	5GM-27482-00	D - 13	5GM-81815-00	E - 4	5SJ-83511-00	E - 6	5KS-W0057-00	D - 7	90170-36279	C - 7
4GY-25852-01	D - 11	5GM-27483-00	D - 13	3WP-81826-00	E - 4	1YT-83517-00	E - 6	90101-10303	B - 5	90176-06003	D - 4
3RW-25854-00	D - 11	5GM-27484-00	D - 13	4XV-8182A-00	E - 4	4RO-83517-00	E - 6	90105-05002	C - 15	90176-08026	B - 2
4L0-25862-01	D - 11	5GM-27485-00	D - 12	3KS-81840-00	E - 4	2GG-8352K-00	E - 6	90105-10023	C - 9	90179-05523	D - 15
3RW-25867-00	D - 11	5GM-27486-00	D - 13	11H-81844-00	E - 4	5EA-8352K-00	E - 6	90105-10638	D - 7	90179-14469	C - 6
5SJ-25872-10	D - 11	5GM-27487-00	D - 13	1FK-81847-00	E - 4	5SJ-83535-00	E - 12		D - 9	90179-25615	C - 14
5GM-25875-00	C - 13	5GM-27492-00	D - 13	5GM-81860-00	E - 11	5SJ-8353H-00	E - 6	90109-06030	C - 3	90183-04027	D - 14
4HC-25875-01	C - 15	5GM-28100-00	D - 5	4HC-81890-00	E - 4	46X-83591-00	E - 12	90109-060F3	C - 10	90183-05004	D - 15
4HC-25876-00	D - 11	4KG-2814E-10	D - 5	4DN-81940-00	E - 10	4HC-83595-00	E - 6	90109-063F1	C - 12	90183-05042	C - 10

NUMERICAL INDEX

PART NO.	GRID NO.	PART NO.	GRID NO.	PART NO.	GRID NO.	PART NO.	GRID NO.	PART NO.	GRID NO.	PART NO.	GRID NO.
90183-05042	C - 12	90387-0714B	B - 8	90467-10038	D - 2	93102-22014	D - 8	95024-06010	B - 7	97707-40010	D - 12
	D - 4	90387-1006J	B - 15	90467-11032	B - 10	93102-25299	C - 8	95027-06008	E - 10	97707-40016	E - 6
	D - 10	90387-151R0	D - 6	90467-12053	D - 2	93102-30284	B - 15	95027-06012	D - 2	97707-40512	D - 12
	D - 12	90387-15423	C - 13	90467-13064	B - 2	93102-32298	C - 8	95027-06016	E - 12		D - 14
	D - 15	90387-154E1	C - 13	90467-14117	B - 13	93104-41119	C - 6	95027-06020	B - 2	97707-50012	C - 11
	E - 8	90387-155F2	C - 13	90467-16195	B - 14	93106-26005	C - 13	95027-06030	B - 6		D - 2
90183-06053	D - 15	90387-1906E	C - 6	90467-22100	B - 7	93109-28043	C - 13	95027-06035	B - 6		D - 13
90185-10110	D - 12	90401-10159	D - 11	90467-26131	B - 7		D - 8	95027-06040	C - 3		D - 15
90185-10154	C - 9	90430-06014	B - 2	90468-08104	B - 13	93210-09165	B - 4	95027-06070	B - 15	97707-50014	E - 6
90185-12072	C - 9		B - 6	90468-12069	B - 3	93210-14104	B - 15	95027-06100	B - 15	97707-50016	C - 10
90185-14163	D - 8	90430-08119	B - 15	90468-18121	D - 5	93210-15171	B - 5	95027-06120	B - 2		C - 11
90185-14166	D - 6	90430-12213	B - 15	90480-01288	C - 12	93210-16275	B - 6	95027-08040	B - 15		D - 4
90201-047R9	C - 6	90445-057G5	D - 14	90480-01558	D - 2		B - 15		C - 14		D - 12
90201-05725	C - 11	90445-135J8	B - 15	90480-10332	B - 13	93210-16325	C - 4	95607-06100	E - 9		D - 14
90201-06057	D - 4	90446-11303	B - 10	90480-12237	D - 2	93210-19123	C - 3	95607-06200	B - 14		E - 5
	D - 15	90450-28014	B - 7	90480-13398	D - 14	93210-27672	C - 2	95607-08200	B - 13	97707-50125	B - 10
90201-06380	B - 14	90450-60001	B - 10	90480-13598	B - 10	93210-33133	B - 6	95617-06615	B - 2	97801-05010	B - 11
90201-08512	B - 6	90460-15126	D - 10	90480-14323	B - 7	93210-35520	B - 9	95617-08620	B - 2	97801-05014	B - 12
	B - 9	90464-05141	E - 9	90480-16301	B - 8	93210-35537	B - 10	95702-05500	E - 8	98501-04012	B - 11
90201-08609	B - 2	90464-05188	C - 15	90501-10312	E - 9	93210-43713	C - 6	95704-06500	D - 15	98507-05008	D - 10
90201-086J0	D - 14		D - 11	90501-14001	B - 7	93210-57634	B - 2	95707-06500	B - 10	98507-05010	D - 5
90201-08784	D - 5	90464-07001	D - 2	90501-18576	B - 9	93210-92448	B - 2		D - 2	98507-05016	E - 12
90201-10118	D - 11		E - 10	90501-505J6	C - 6	93211-17733	C - 6	95707-08500	C - 9	98507-05045	E - 9
90201-10591	B - 5	90464-08051	D - 6	90506-18224	D - 12	93306-00006	B - 6		D - 4	98507-05050	E - 9
90201-105A2	C - 9	90464-09008	D - 2	90506-20158	D - 12	93306-00518	B - 5	95807-06008	B - 7	98507-06020	C - 3
	C - 13	90464-10190	E - 10	90506-26001	D - 12	93306-20204	B - 5	95807-06010	B - 7	98507-06025	E - 10
90201-12166	C - 5	90464-11003	E - 10	90506-40175	D - 12	93306-20570	C - 8		E - 12	98706-04012	D - 11
90201-144M8	C - 6	90464-11004	B - 14	90560-08326	D - 4	93306-27205	C - 8	95807-06012	C - 9	98901-04006	B - 11
90201-156R4	C - 8	90464-13001	B - 10	91317-05012	E - 3	93306-30201	C - 8		C - 15	98907-03008	E - 11
90201-160F6	B - 3	90464-13073	E - 10	91317-06014	B - 5	93306-30212	C - 13	95807-06014	B - 14	99001-04600	D - 12
90201-16242	B - 15	90464-14134	E - 11		B - 15		D - 6	95807-06020	B - 13	99001-06600	B - 9
90201-220J8	D - 8	90464-15192	E - 10	91317-06016	B - 6		D - 8		D - 11	99001-07600	B - 6
90201-232K5	C - 8	90464-15195	D - 10	91317-06020	B - 7	93306-30321	C - 8	95807-06025	C - 13	99001-08600	C - 6
90202-26142	C - 15		E - 10	91317-06025	D - 11	93306-90603	C - 2	95807-08016	C - 9	99009-10400	B - 6
90208-21001	C - 8	90464-18246	D - 14	91317-06030	E - 3	93311-41566	C - 8	95817-06025	E - 4	99009-12400	C - 5
90208-25001	C - 8		E - 12	91317-06035	B - 6	93399-99942	C - 14	95817-08016	B - 15	99009-16400	B - 15
90215-06184	B - 5	90464-20181	E - 10	91317-08016	C - 5	93430-12008	D - 12	95817-08070	C - 13	99009-25400	C - 8
90269-08066	D - 14	90464-20258	D - 10	91317-08030	C - 15	93440-10085	B - 2	95817-10045	C - 9	99246-00080	C - 12
90280-03017	C - 15	90464-23199	B - 6	92017-06012	B - 13	93603-12221	B - 9	95817-10050	B - 13	99247-00080	C - 12
90280-05013	B - 3	90464-25098	E - 12	92017-06025	B - 9	93603-22028	B - 6	95817-12120	C - 9	99530-10114	B - 2
90338-08174	B - 10	90465-13152	D - 10	92907-05600	E - 12		B - 9	95827-06012	D - 2		B - 15
90338-10150	D - 8	90465-14310	D - 6	92907-06200	B - 13	93604-10011	B - 5	95827-08030	C - 13		C - 3
90338-11125	D - 4	90467-07138	B - 14	92907-06600	C - 3	93900-00022	D - 6	95827-10035	C - 13	99530-14016	B - 2
90340-12059	B - 15	90467-08003	C - 12		E - 10	93900-00025	D - 8	97007-05012	B - 7		
90387-064W3	B - 10	90467-09006	B - 14	93101-10090	B - 6	94111-1214N	D - 6	97007-06012	B - 5		
90387-06500	D - 4	90467-10008	B - 10	93101-14092	C - 3	94113-1204P	D - 8	97607-30214	E - 6		
90387-065J6	D - 14		C - 12	93101-28139	C - 6	94581-63104	B - 5	97702-40114	E - 8		
90387-067N5	D - 15	90467-10038	B - 7	93102-22014	D - 6	94701-00333	B - 2	97702-40912	E - 7		